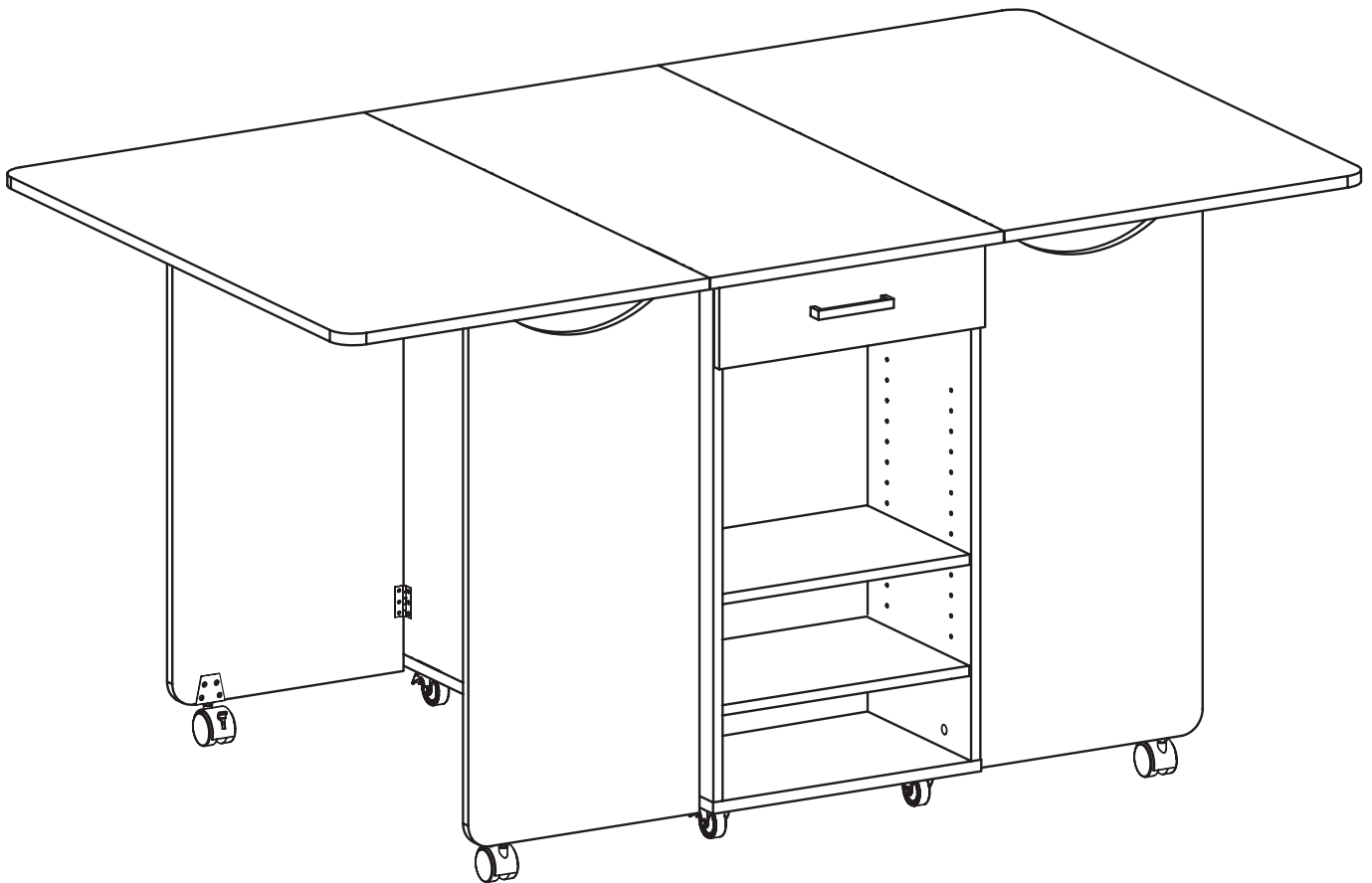


ASSEMBLY INSTRUCTIONS
@accuquilt Cutting Table

ITEM NO.: K7051 Ash White



General Assembly Guidelines

1. Read the instructions carefully before beginning the assembly process to ensure proper assembly of this product. Please open and inspect the contents of box(es) to see that all parts and hardware are included.

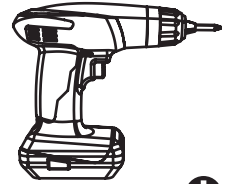
2. Tools Required



Phillips Screwdriver ⊕

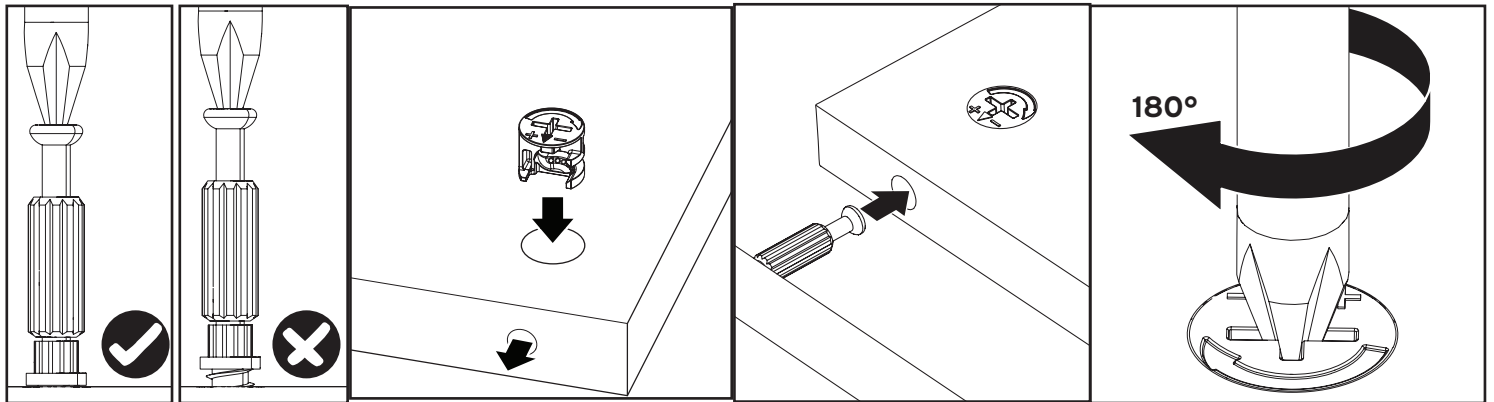


Hammer



Electric Screwdriver ⊕
Torque set to 3-5

3. Understanding How the Cam Fastener Works



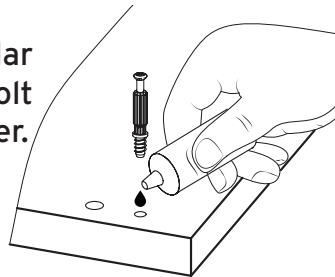
Screw cam bolts flush as illustrated.

Press cam into hole until flush with surface. The arrow direction must be in the direction of the hole.

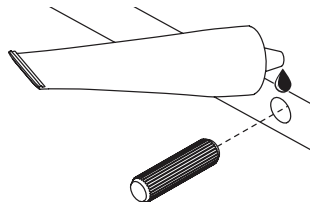
Insert bolt through pre-drilled hole in edge of panel.

Turn clockwise to lock cam with bolt.

Tip: place a small bit of WD-40 or similar lubricant into the pre-installed cam bolt holes to help the cam bolts screw in better.



4. **Glue** provided is to secure wood dowels in place and is optional. If glue is used during assembly, locate the appropriate hole for the dowel, place a small amount of glue in the hole and insert the dowel. Wipe away excess glue immediately. It is not necessary to glue the other end of the dowel when attaching to other parts.

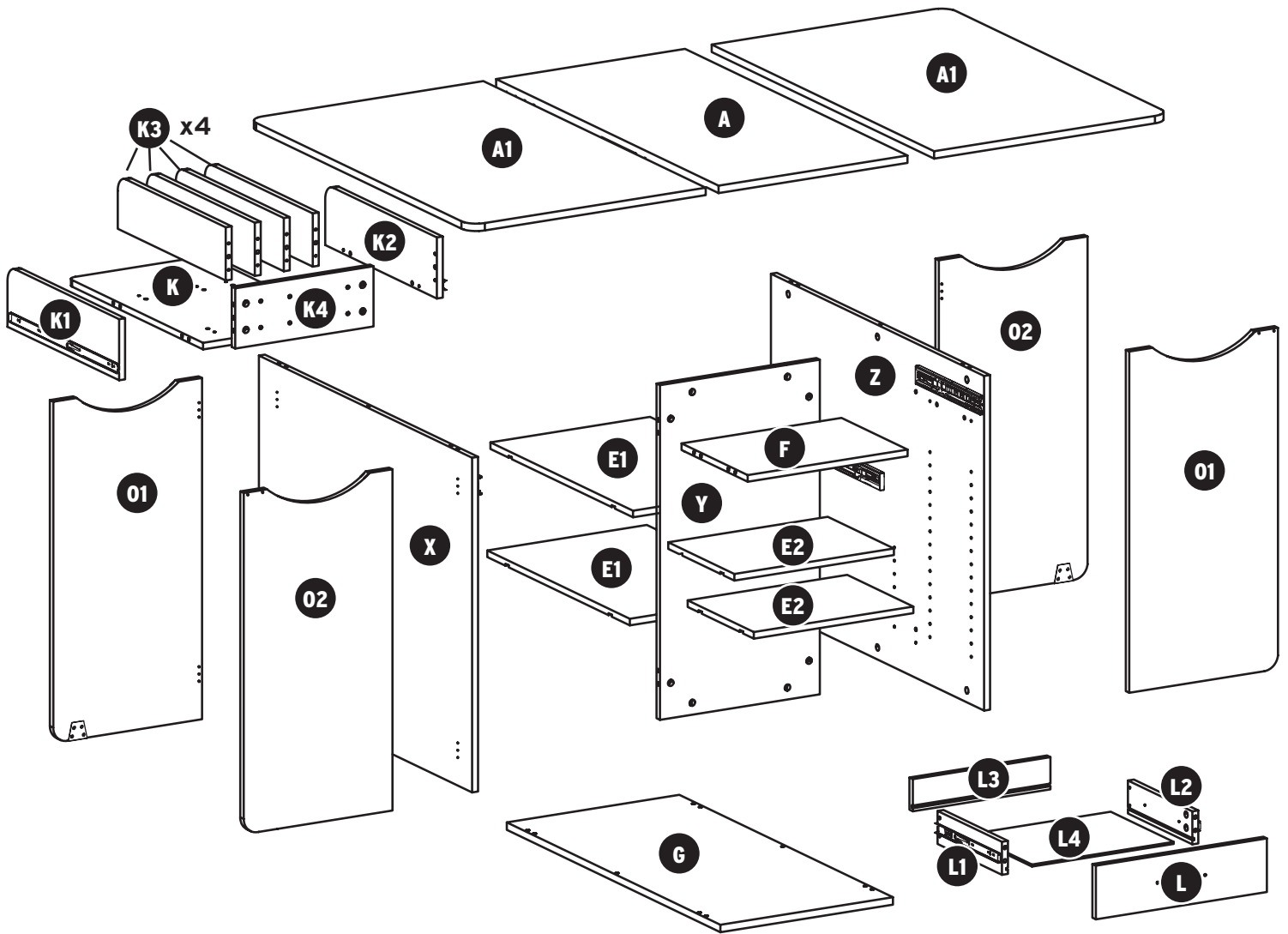


Use and Care

Your cabinet normally requires a minimum amount of maintenance; however, it is worth noting the following for regular cleaning:

To remove marks and enhance the surface, wipe with a gentle all-purpose cleanser. **DO NOT** use ammonia-based, harsh chemicals or abrasive cleaning agents. Wipe dry immediately.

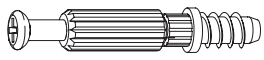
Parts List: Panels



ITEM	DESCRIPTION	QTY.	PACK.	ITEM	DESCRIPTION	QTY.	PACK.
	Hardware Box	1	1 of 4	X	Left Side Panel	1	2 of 4
Y	Center Panel	1	1 of 4	L3	Drawer Back Panel	1	2 of 4
E1	Large Shelf Panel	2	1 of 4	Z	Right Side Panel	1	2 of 4
K	Diebrary Drawer Bottom	1	1 of 4	A1	Side Leafs	2	3 of 4
E2	Small Shelf Panel	2	1 of 4	A	Top Panel	1	3 of 4
K4	Diebrary Drawer Back	1	1 of 4	K3	Diebrary Drawer Dividers	2 of 4	3 of 4
F	Shelf Compartment Panel	1	1 of 4	G	Bottom Panel	1	4 of 4
K1	Diebrary Drawer Left Side	1	1 of 4	01	Leaf Support Panel	2	4 of 4
K2	Diebrary Drawer Right Side	1	1 of 4	02	Leaf Support Panel	2	4 of 4
L1	Drawer Left Side Panel	1	1 of 4	K3	Diebrary Drawer Dividers	2 of 4	4 of 4
L2	Drawer Right Side Panel	1	1 of 4	L4	Drawer Bottom	1	4 of 4
L	Drawer Front Panel	1	1 of 4				

Parts List: Hardware

TIP: Keep all the parts in their individually labeled bags. This will make finding parts easier as you assemble your cabinet.



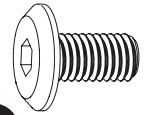
c1 6x35 Cam Bolt **X34**



c2 5/8" Cam Cover **X34**



d1 8x30 Dowel Pin **x40**



b1 8x16 Fix Bolt **x20**



b2 4x24 Fix Bolt **x2**



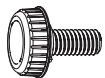
s1 3.5x14 Screw **x92**



s2 3x14 Screw **x8**



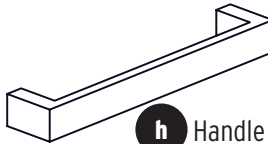
s3 3.5x30 Screw **x20**



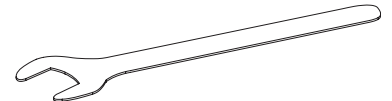
s5 Alignment Pin **x4**



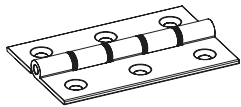
a Allen Wrench **x1**



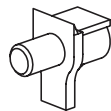
h Handle **x1**



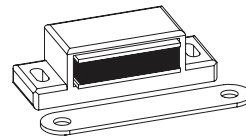
r3 14mm Wrench **x1**



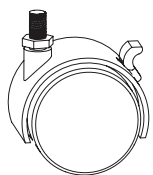
h1 Butt Hinge **x14**



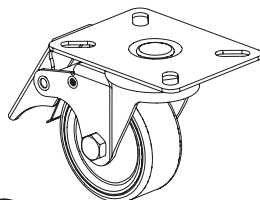
p1 Peg **x16**



m Magnet **x4**
Catch plate **x4**



t1 Caster **x4**

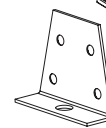


t2 Locking Plate Caster **x5**

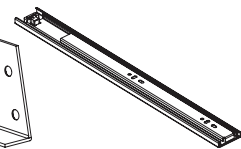
Pre-installed parts



c5 Cam



Caster Bracket

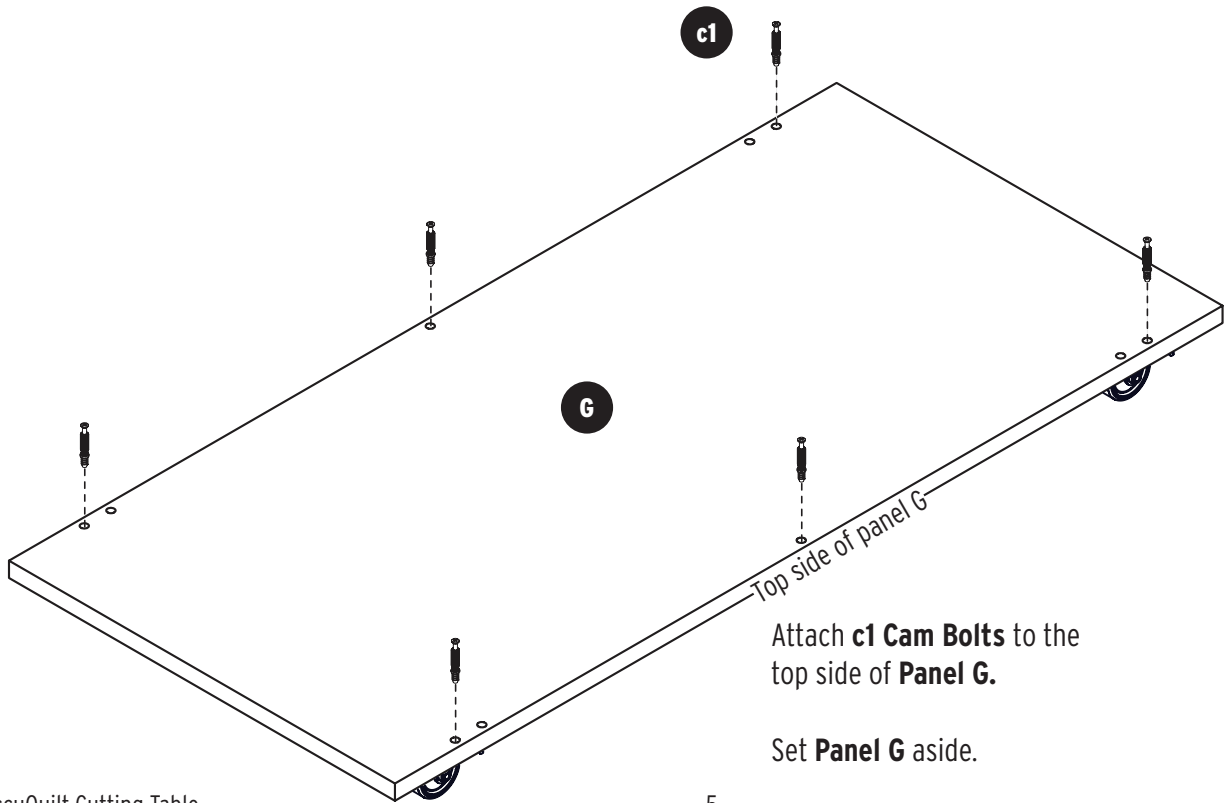
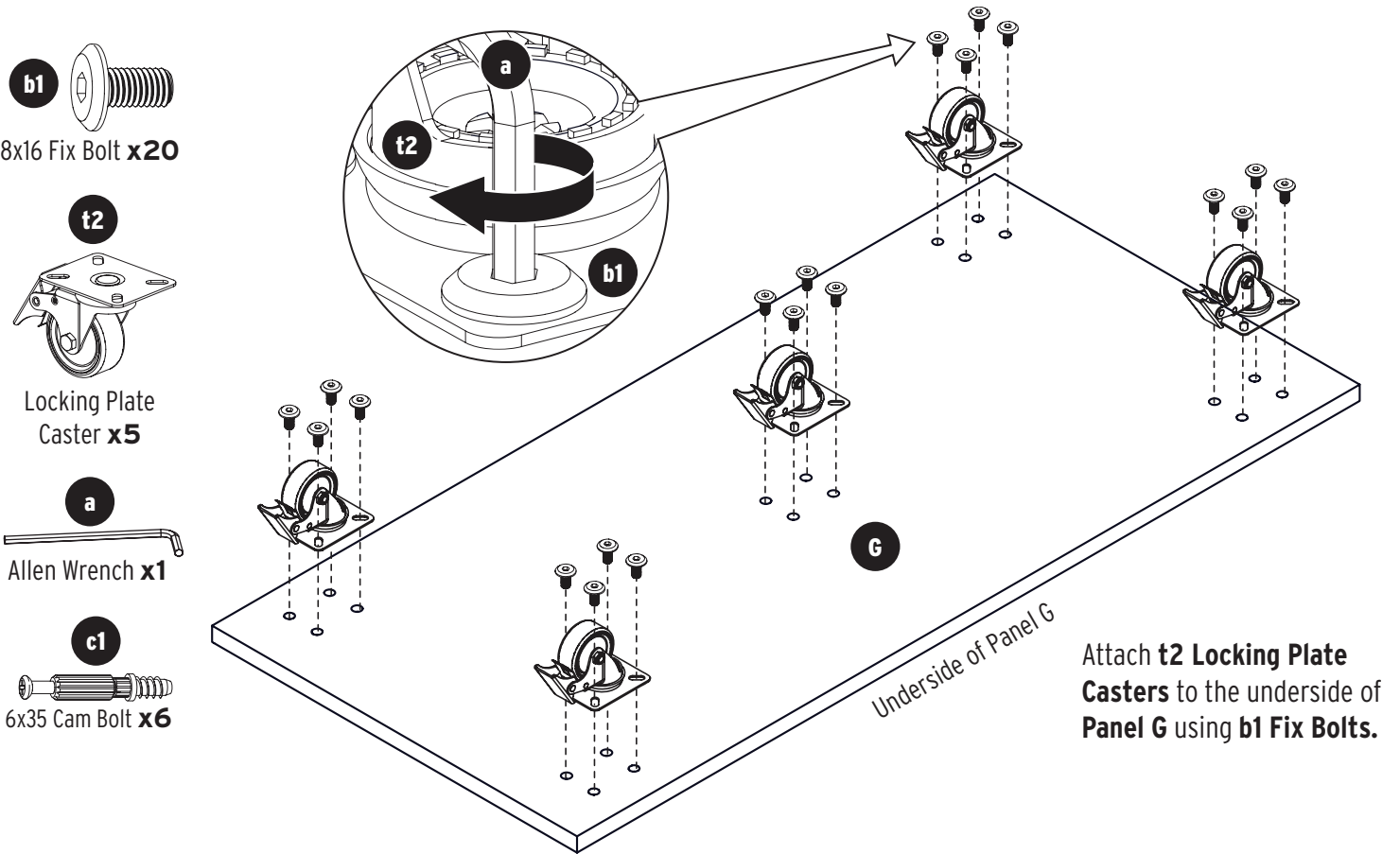


Drawer Runners

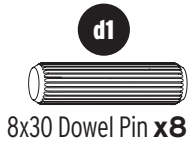
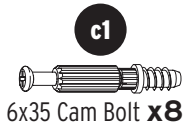
Step 1: Cabinet Shell

Congratulations and welcome to Kangaroo Sewing Furniture! We can't wait to get your brand new AccuQuilt Cutting Table up and running. Please contact our Customer Service Team at 1-800-533-7347 ext. 1 during normal business hours with any assembly related questions.

Please note that due to the size of this cutting table, assembly will require two people, beginning with Step 2.

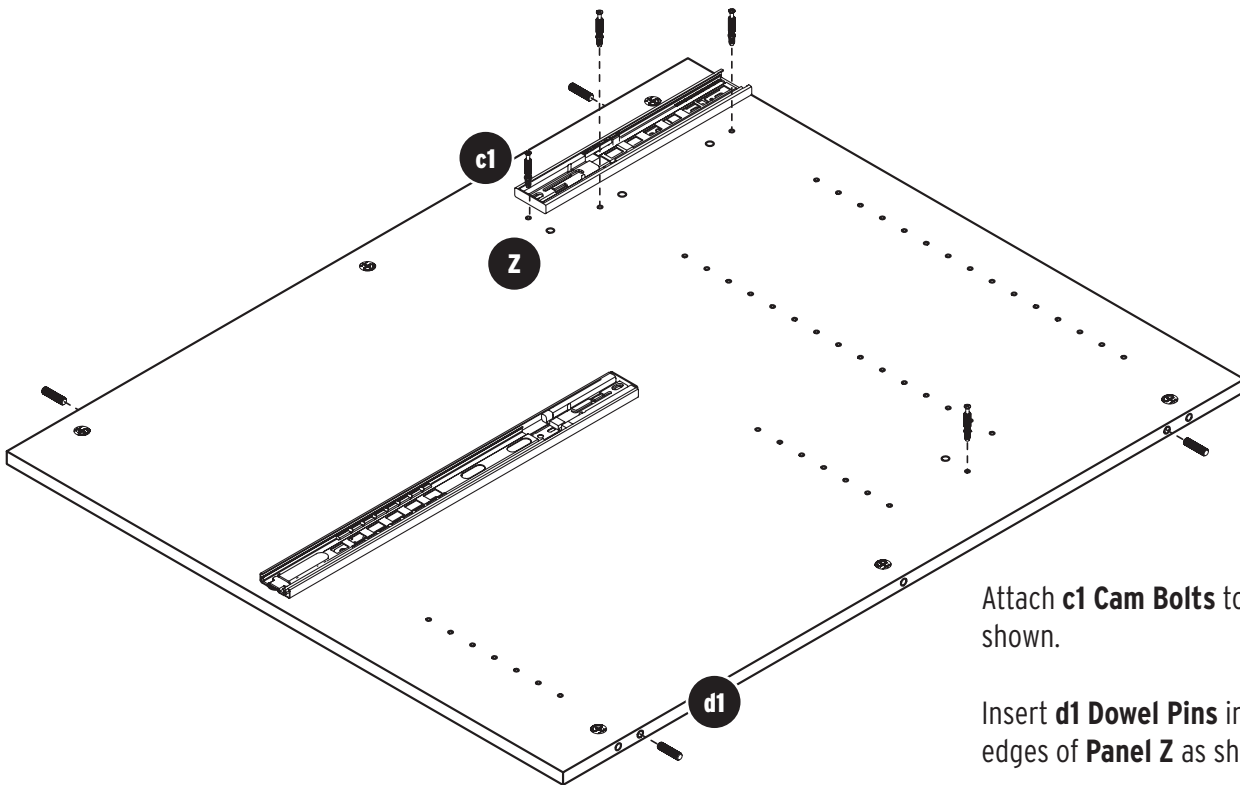
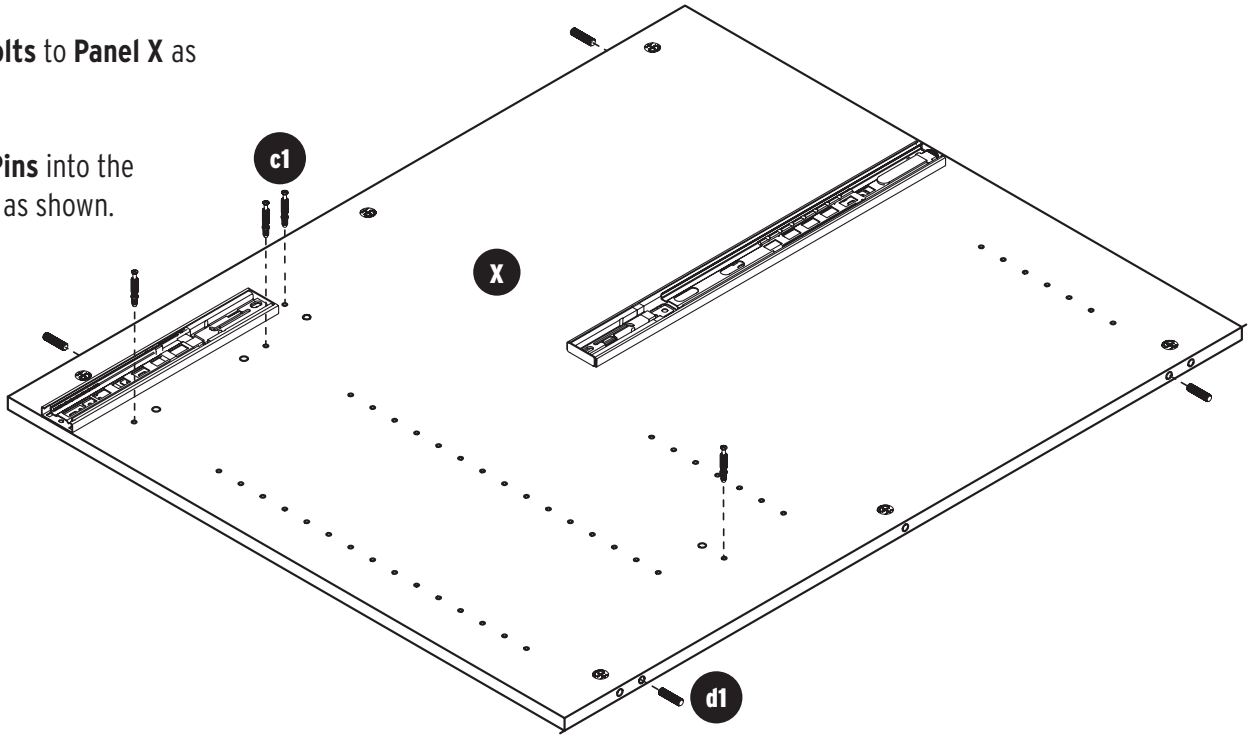


Step 1: Cabinet Shell



Attach **c1 Cam Bolts** to **Panel X** as shown.

Insert **d1 Dowel Pins** into the edges of **Panel X** as shown.



Attach **c1 Cam Bolts** to **Panel Z** as shown.

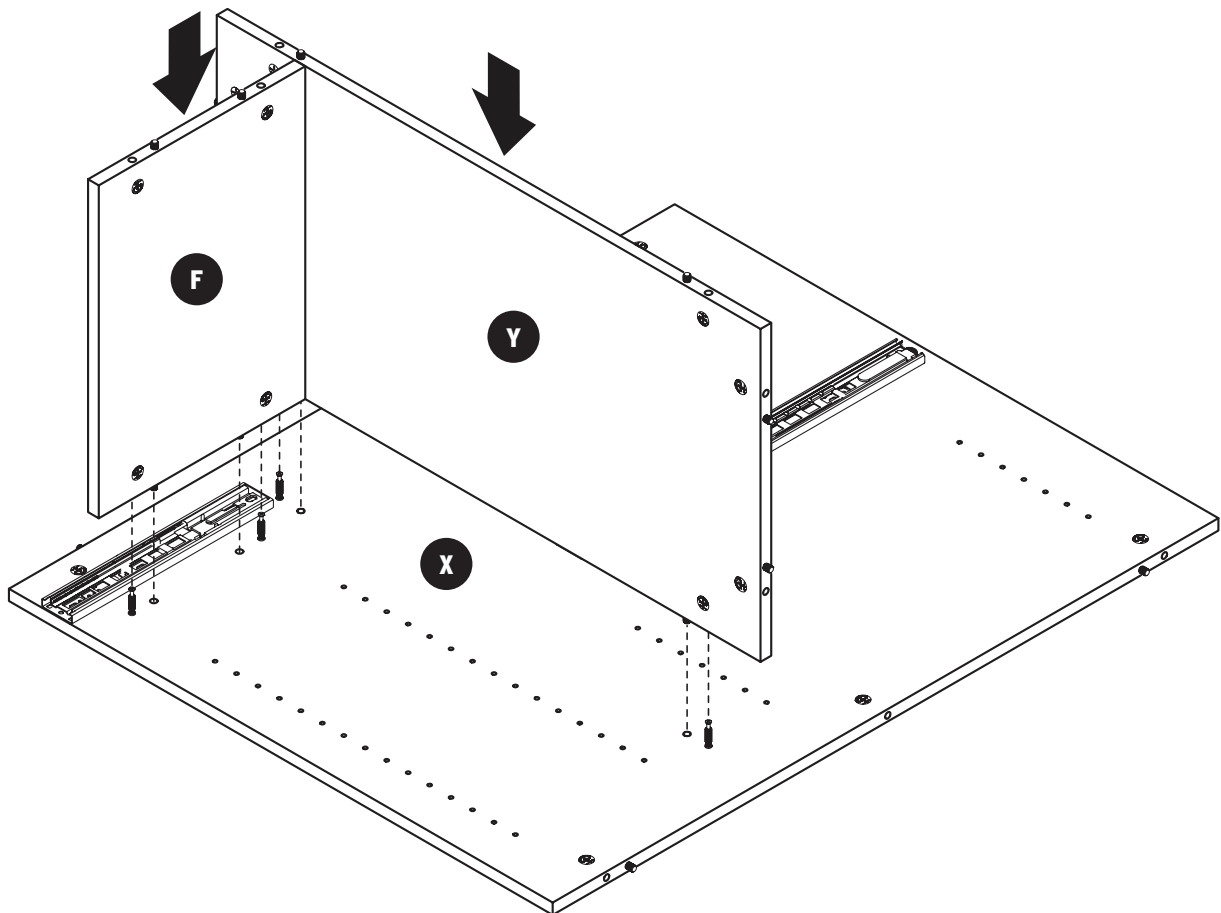
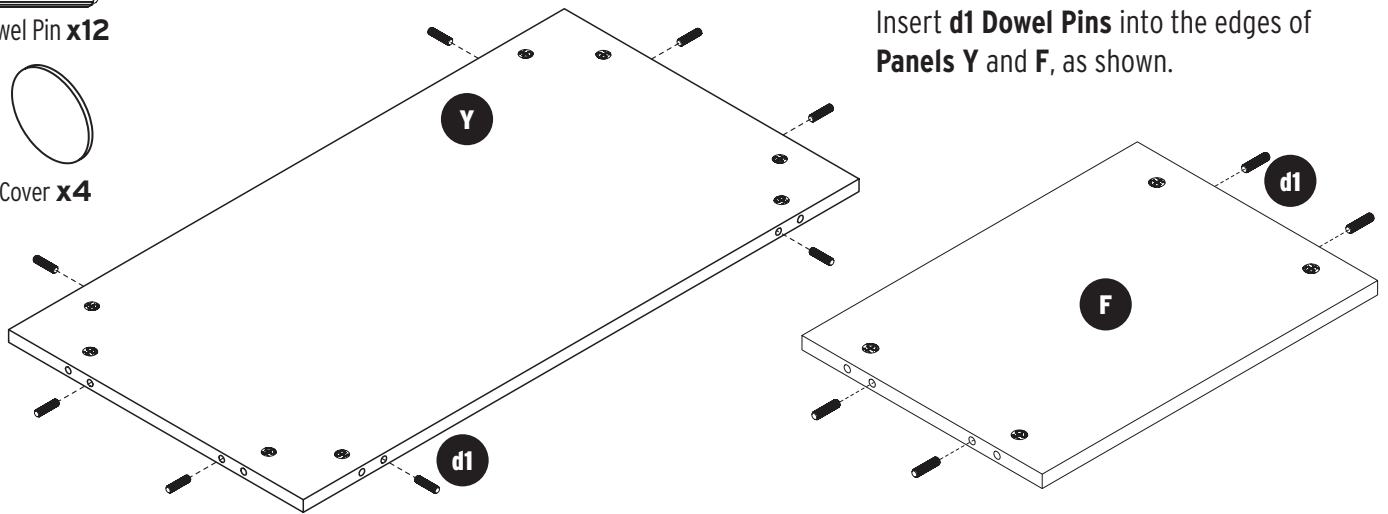
Insert **d1 Dowel Pins** into the edges of **Panel Z** as shown.

Step 1: Cabinet Shell

d1
8x30 Dowel Pin **x12**

c2
5/8" Cam Cover **x4**


Insert **d1 Dowel Pins** into the edges of **Panels Y** and **F**, as shown.

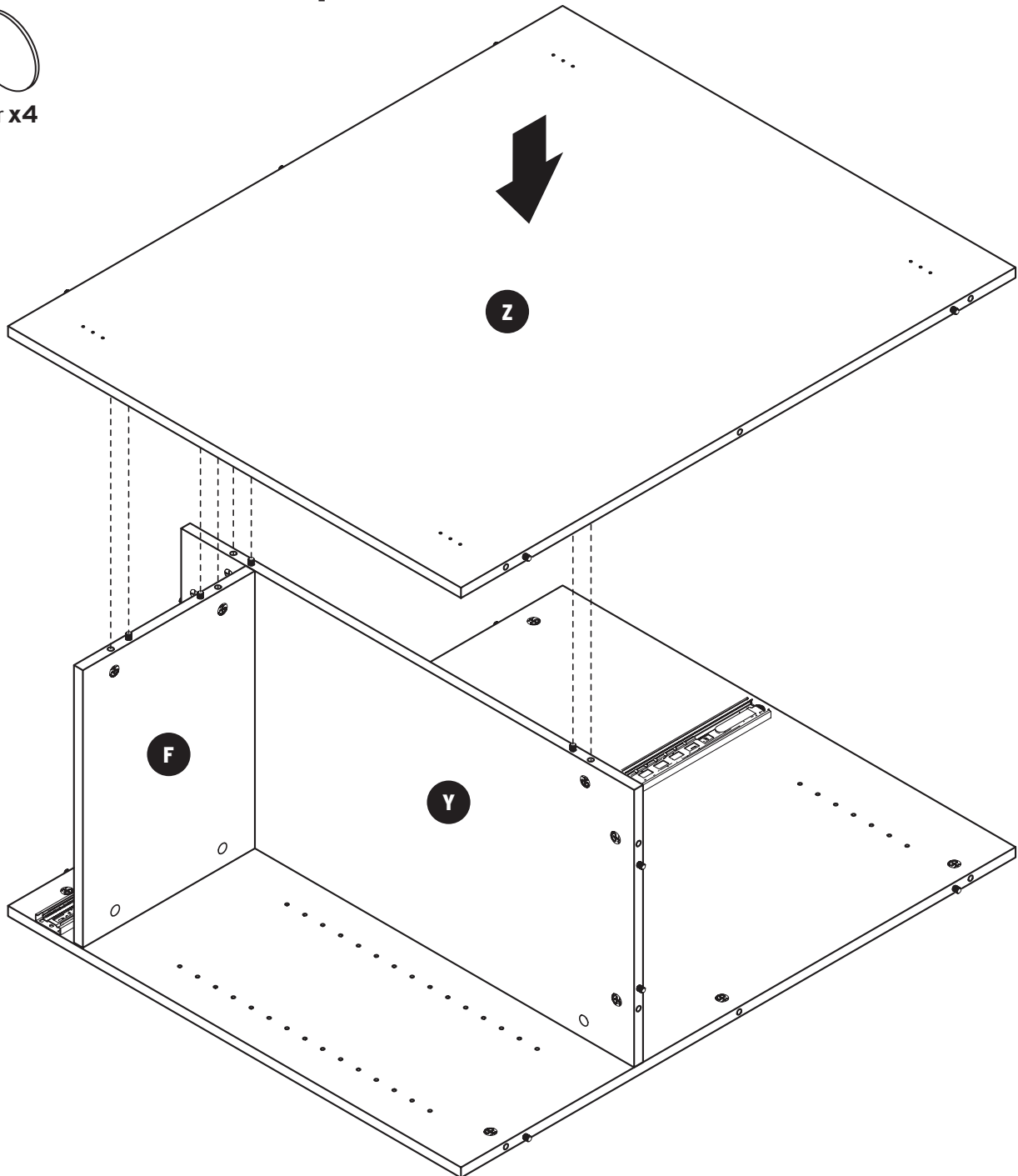


Lay **Panel X** down on the floor. We recommend assembling in a carpeted area, or on a rug or heavy blanket, to protect your floor and cabinet surfaces.

Attach **Panels F and Y** to **Panel X**, inserting cam bolts into cam locks. Tighten cam locks and apply **c2 Cam Covers**.

Step 1: Cabinet Shell

c2 
5/8" Cam Cover **x4**



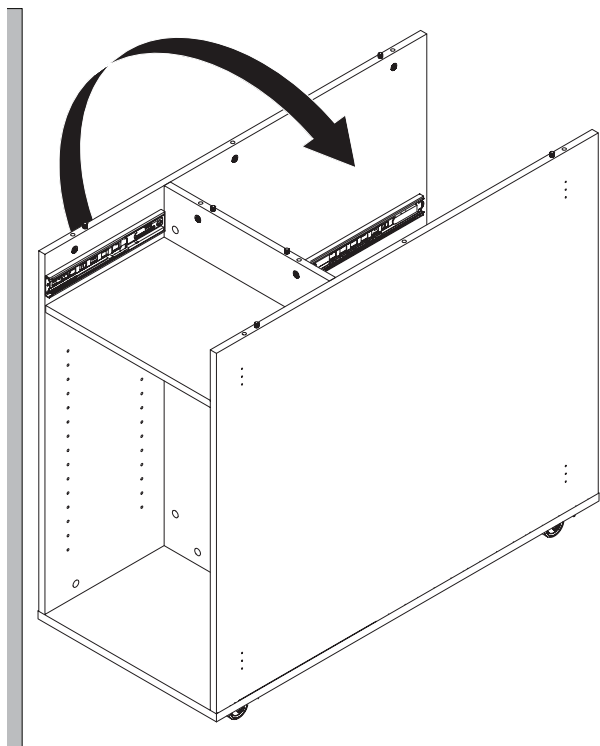
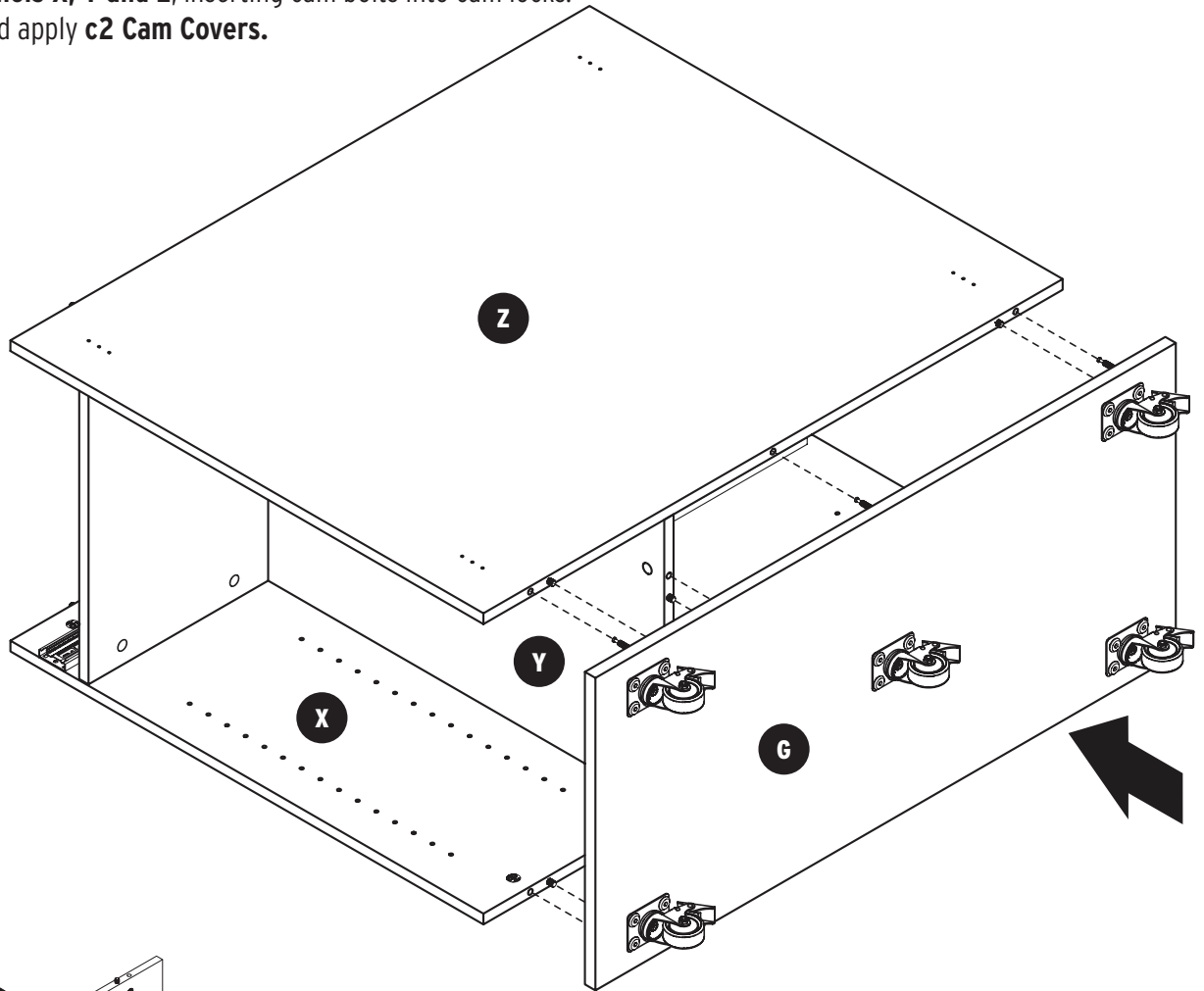
Attach **Panel Z** to **Panels F and Y**, inserting cam bolts into cam locks. Tighten cam locks and apply **c2 Cam Covers**.

Step 1: Cabinet Shell



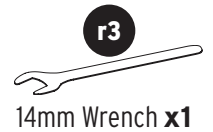
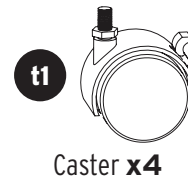
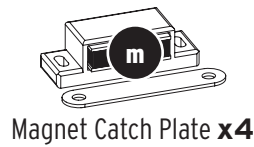
$\frac{5}{8}$ " Cam Cover **x6**

Attach **Panel G** to **Panels X, Y and Z**, inserting cam bolts into cam locks.
Tighten cam locks and apply **c2 Cam Covers**.

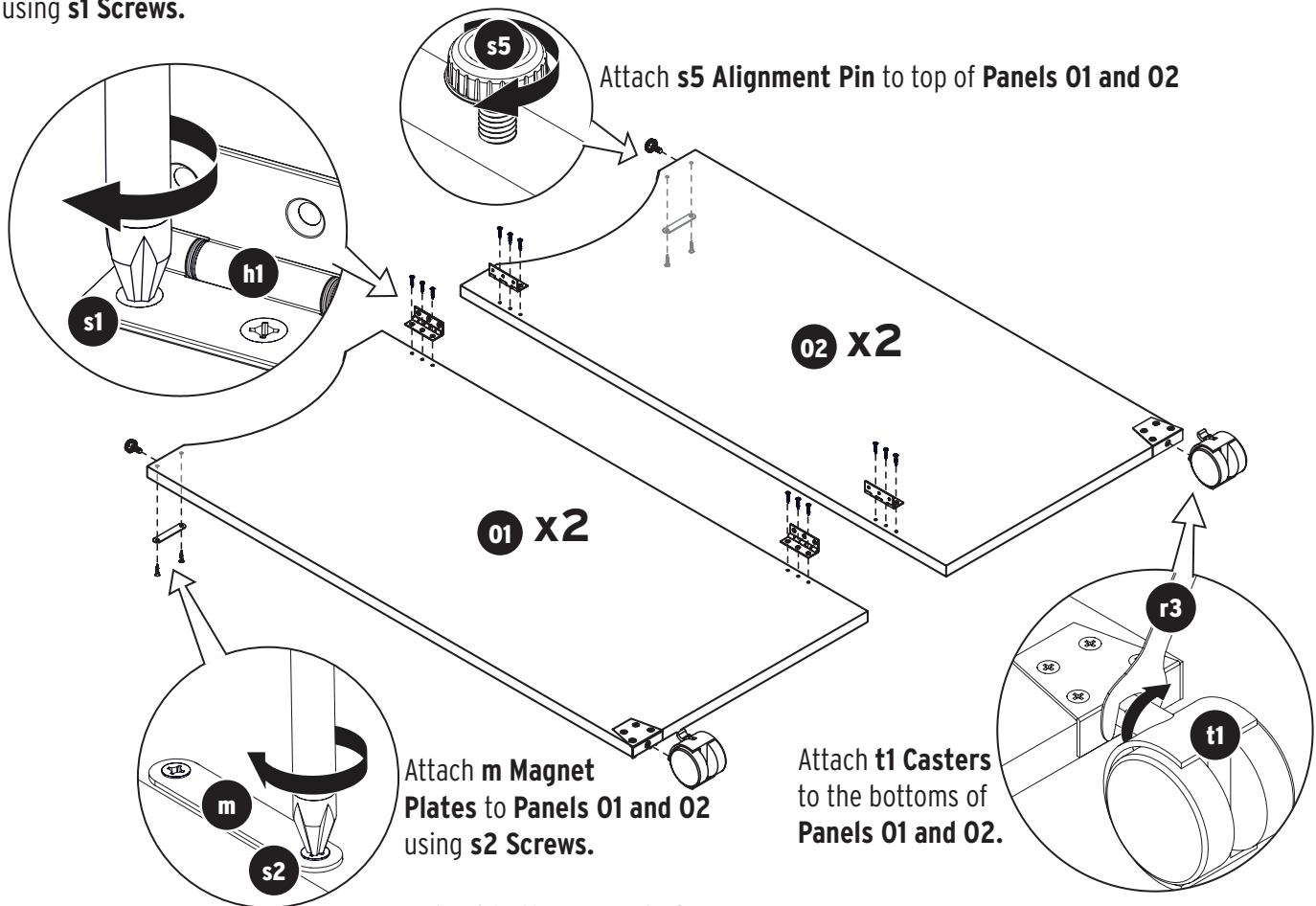


Make sure casters are locked and flip cabinet over onto its wheels. You will need someone to help you with this step!

Step 2: Gate Legs, Extension Leaves, and Top



Attach **h1 Butt Hinge** to **Panels 01 and 02** as shown, using **s1 Screws**.



Set aside the magnets for later use.

Step 2: Gate Legs, Extension Leaves, and Top

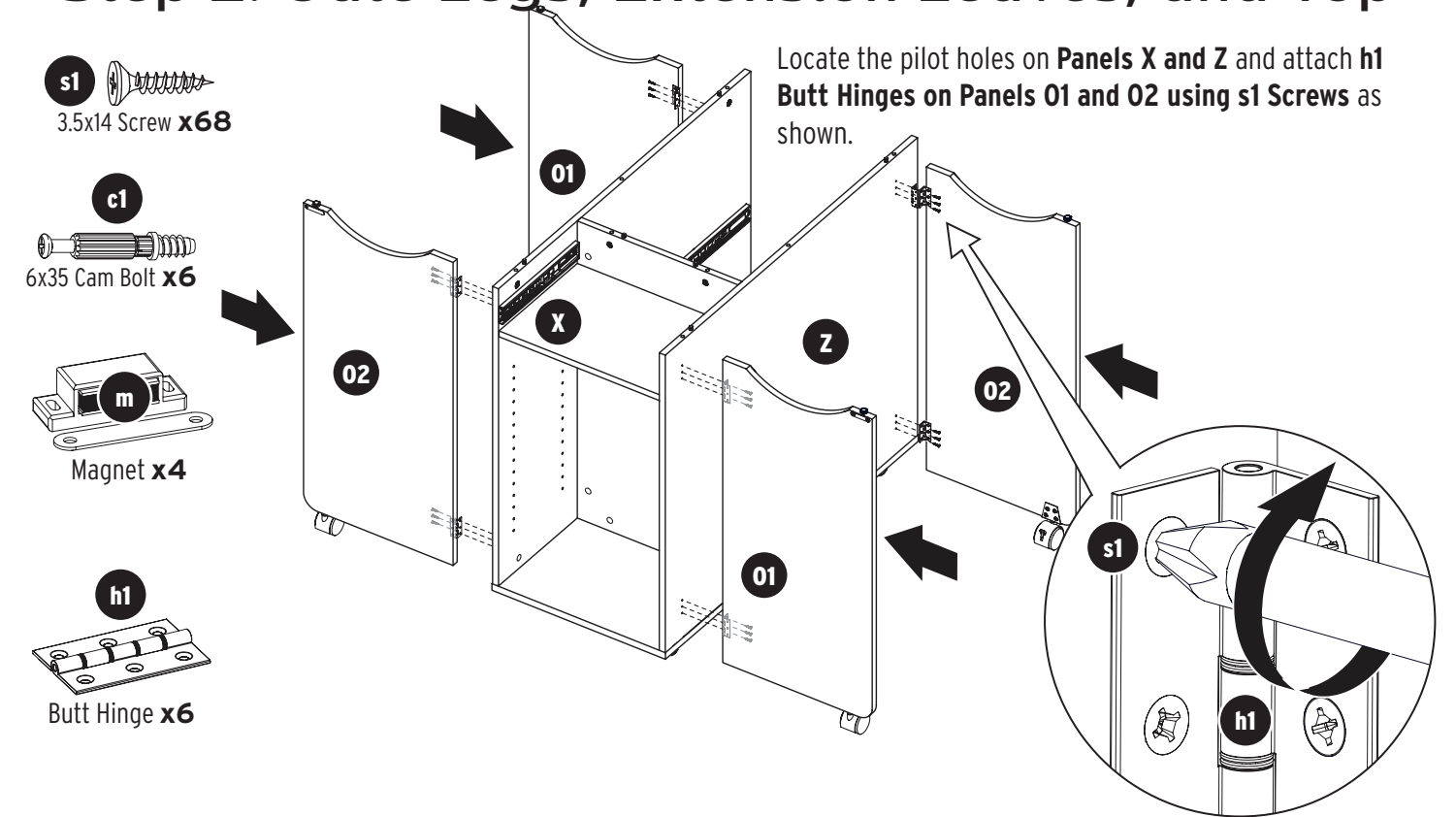
s1
3.5x14 Screw **x68**

c1
6x35 Cam Bolt **x6**

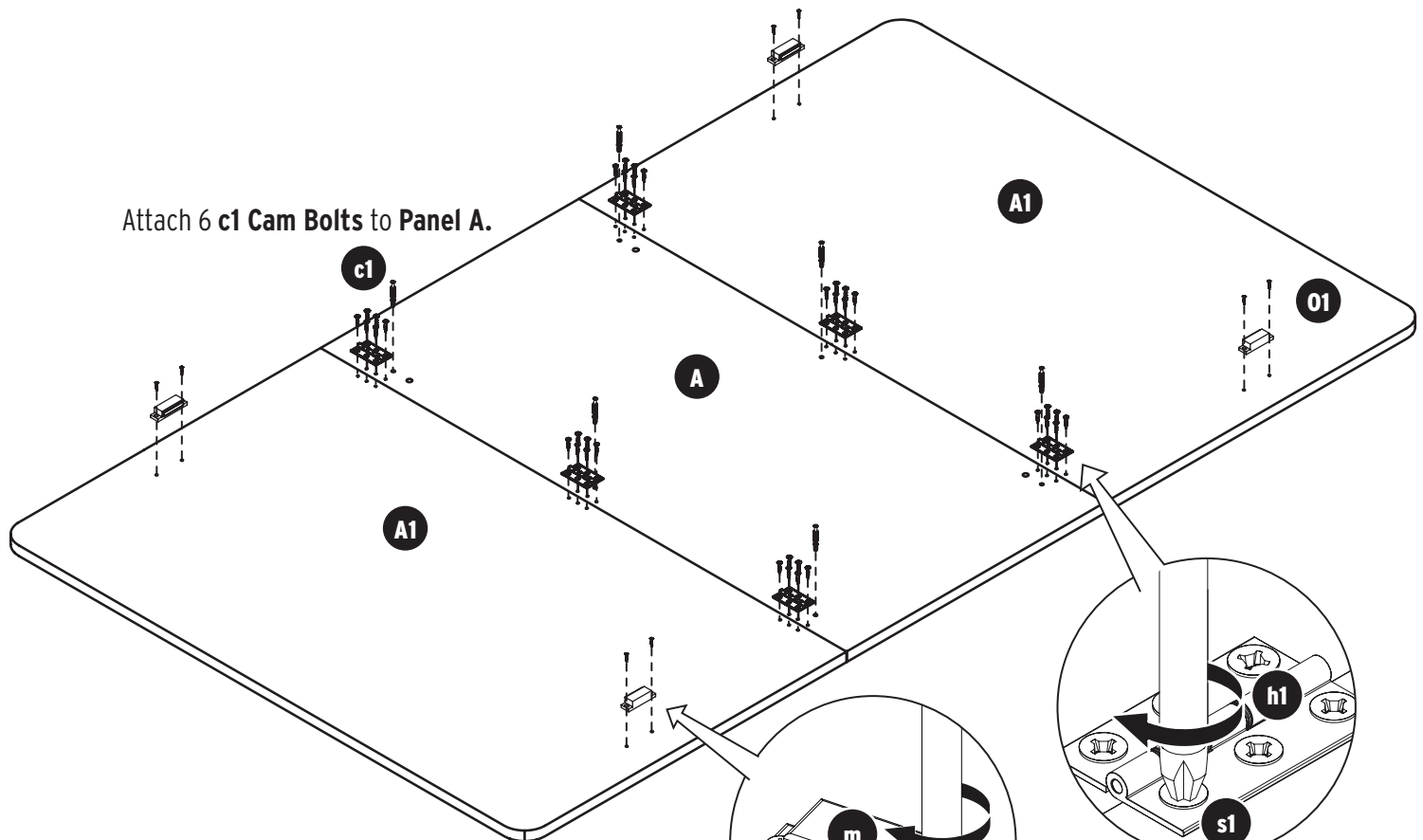
m
Magnet **x4**

h1
Butt Hinge **x6**

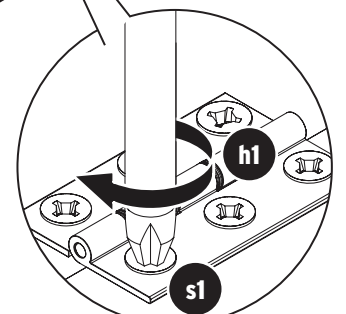
Locate the pilot holes on **Panels X and Z** and attach **h1 Butt Hinges** on **Panels 01 and 02** using **s1 Screws** as shown.



Attach 6 **c1 Cam Bolts** to **Panel A**.



Attach 4 **m Magnets** to **Panel A1** using **s1 Screws** as shown.



Attach 6 **h1 Hinges** to using **s1 Screws**, connecting **Panel A1** to **Panel A**.

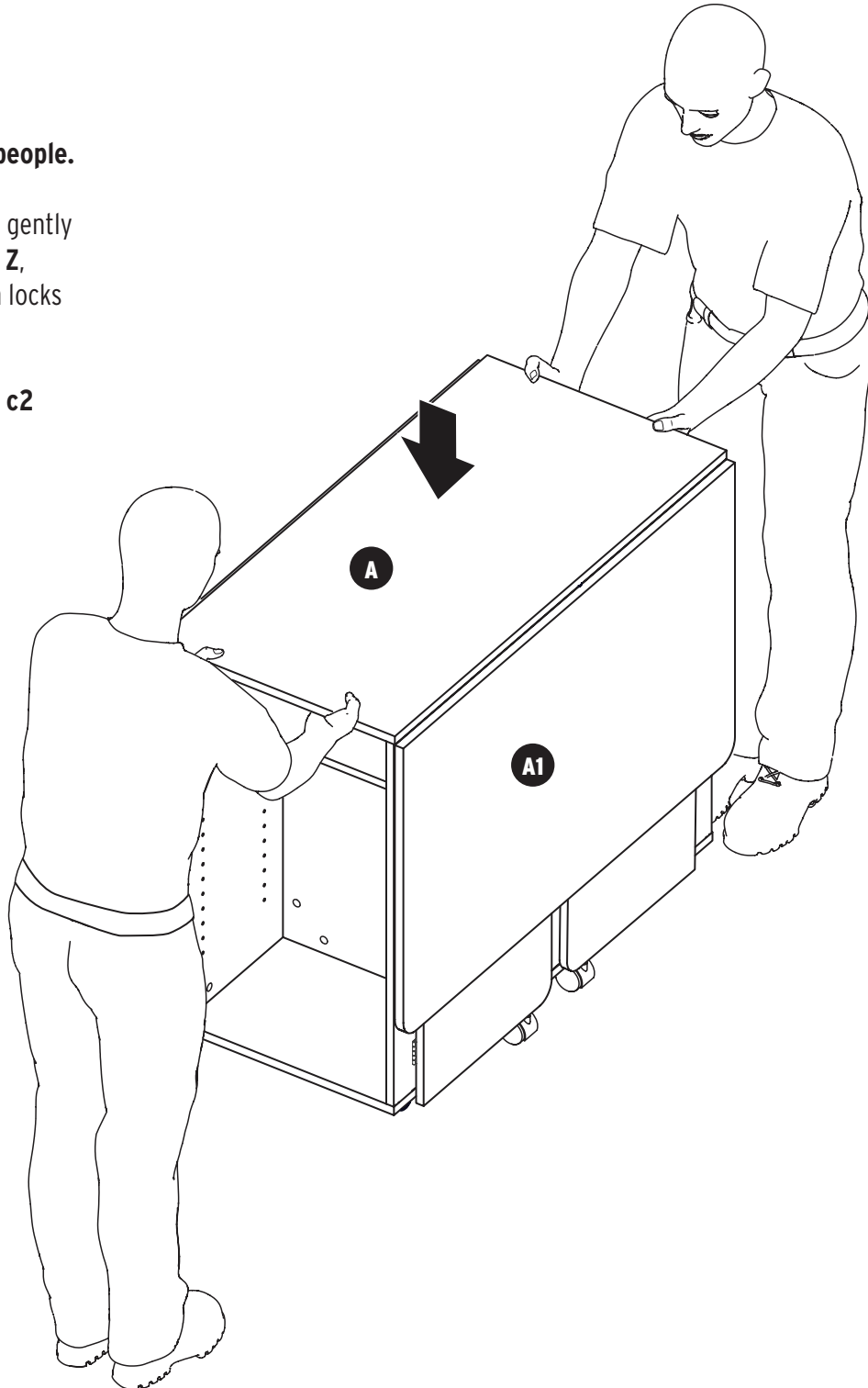
Step 2: Gate Legs, Extension Leaves, and Top




This step will require two people.

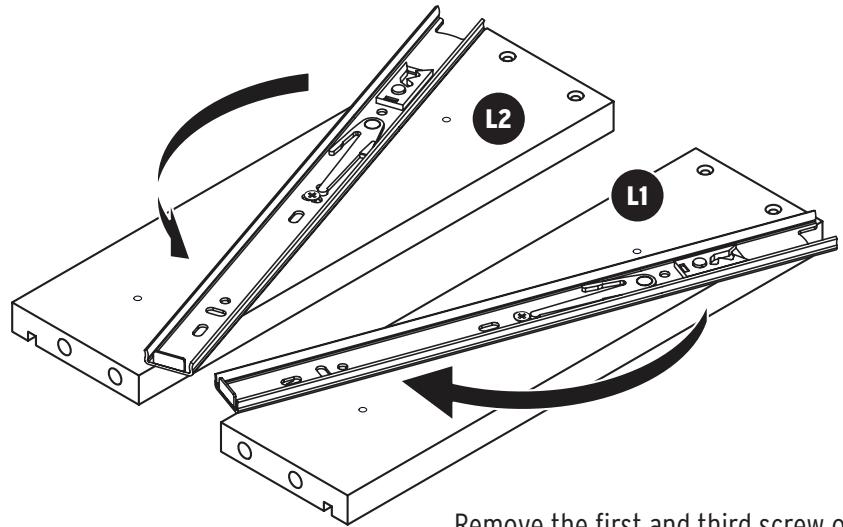
Grasp **Panel A** as shown and gently lower on to **Panels X, Y and Z**, inserting cam bolts into cam locks as shown.

Tighten cam locks and apply **c2 Cam Covers**.

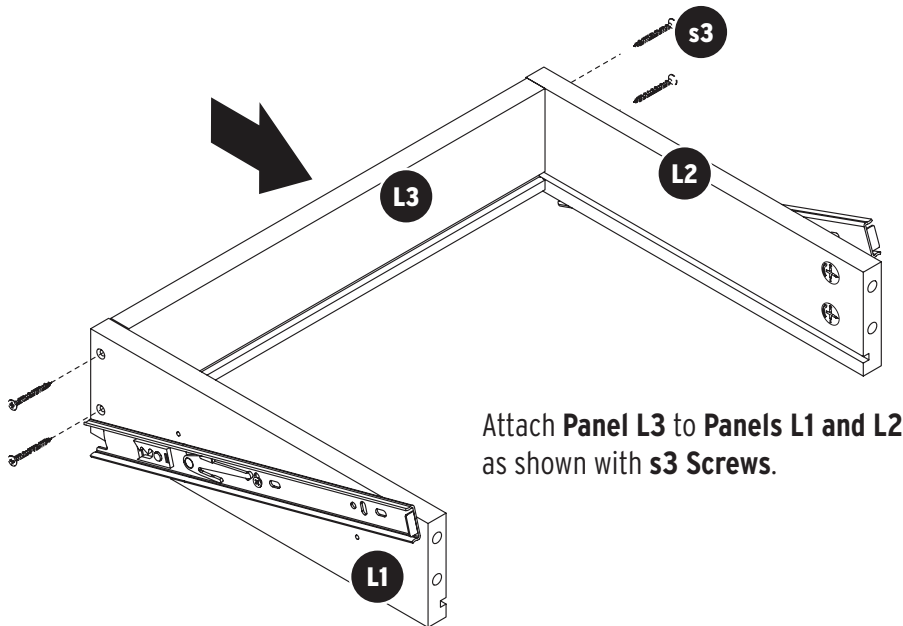


Step 3: Drawer

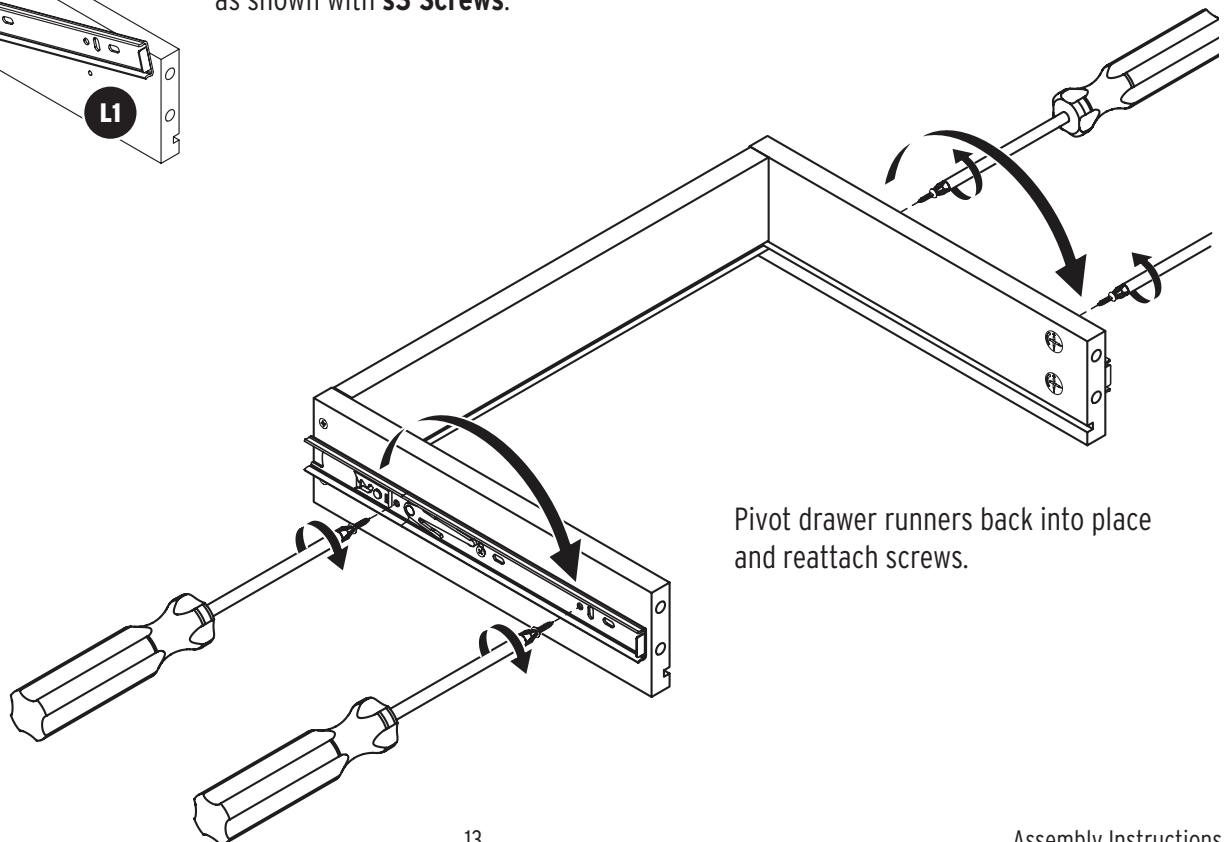
 **s3** 3.5x30 Screw **x4**



Remove the first and third screw on the drawer runners on **Panels L1 and L2** and set aside. Pivot drawer runners slightly, as shown.



Attach **Panel L3** to **Panels L1 and L2** as shown with **s3** Screws.



Pivot drawer runners back into place and reattach screws.

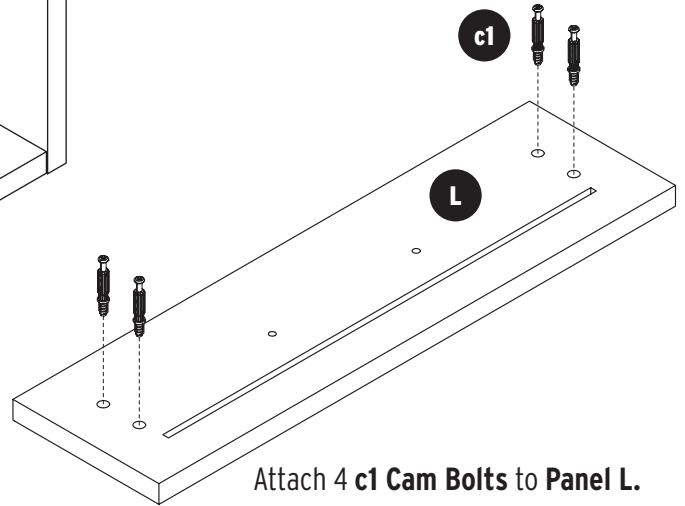
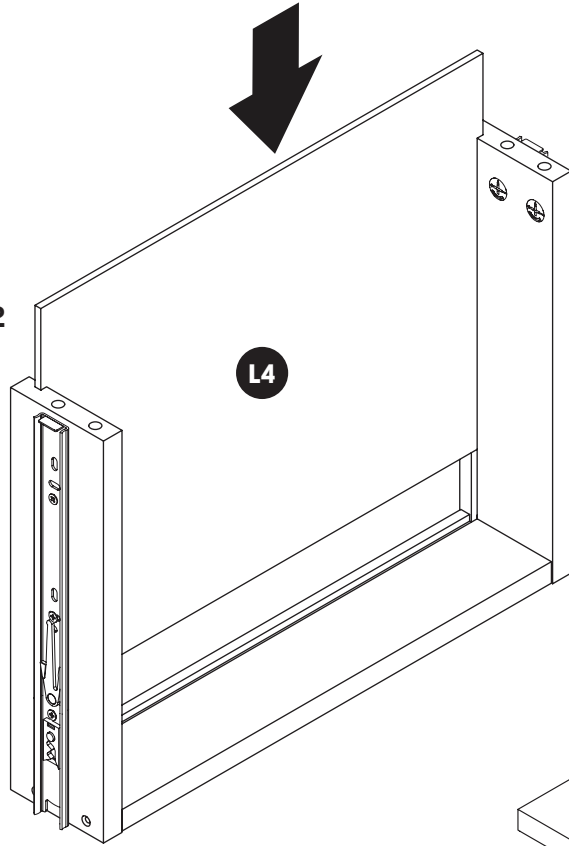
Step 3: Drawer

c1 6x35 Cam Bolt **x4**

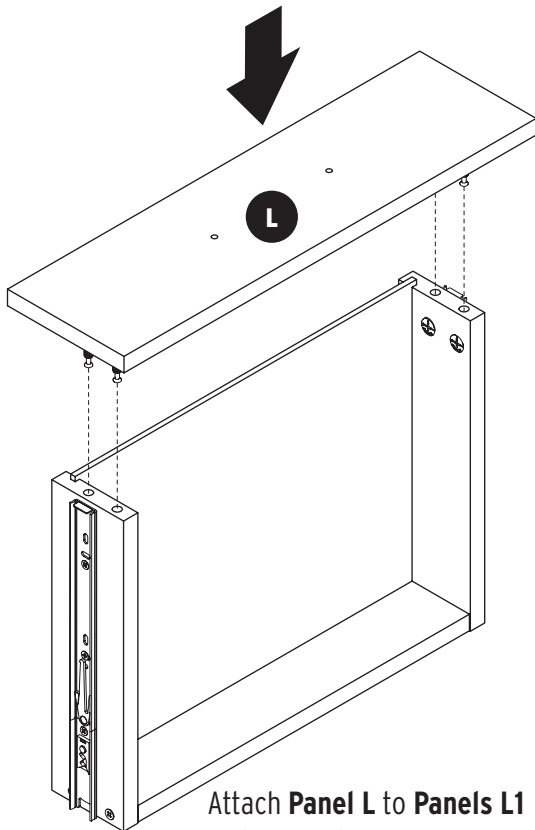
h Handle **x1**

b2 4x24 Fix Bolt **x2**

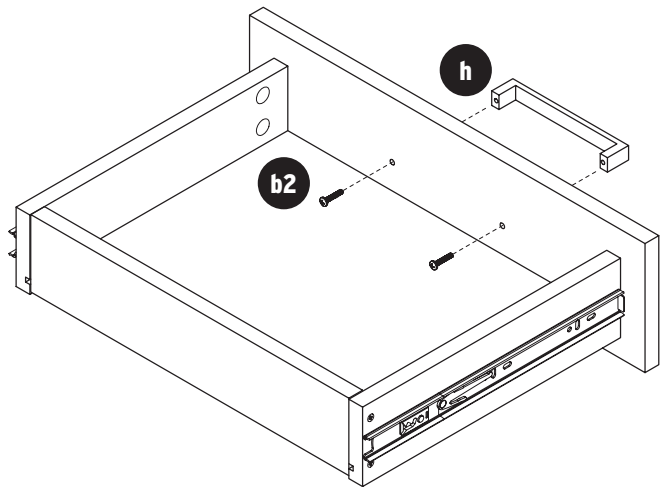
c2 $\frac{5}{8}$ " Cam Cover **x4**



Attach 4 **c1** Cam Bolts to **Panel L**.



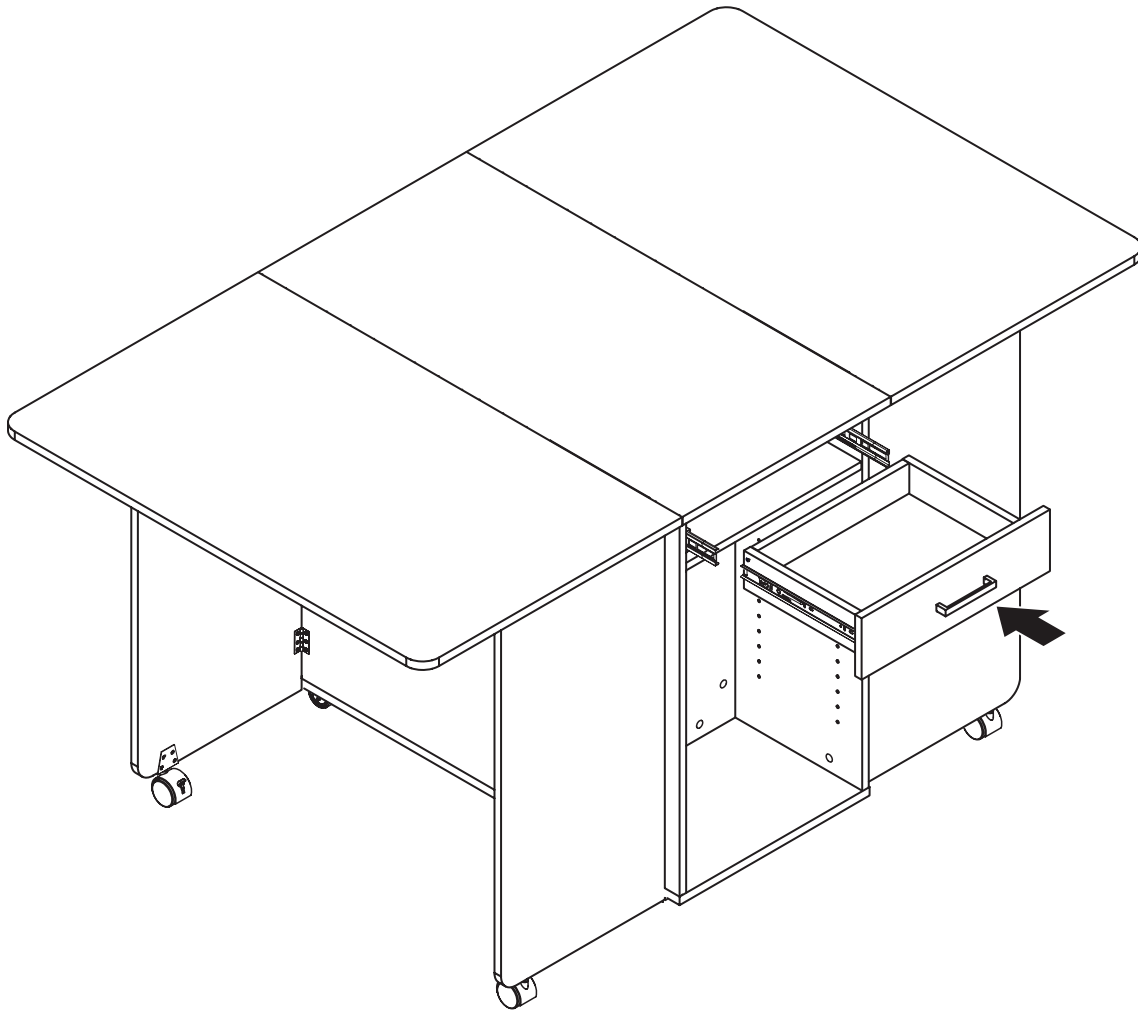
Attach **Panel L** to **Panels L1** and **L2** as shown.



Attach **h** Handle with **b2** Fix Bolts as shown.

Tighten cam locks and apply **c2** Cam Covers.

Step 3: Drawer



Fully extend the cabinet rails, align drawer rails, and slide drawer in as shown.

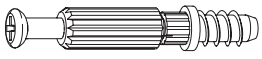
Be sure that the silver ball bearing pieces are positioned all the way to the front of the rails.

TIP: Gently open and close the drawers a few times to engage the Soft Close mechanism.

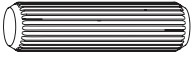
For detailed video instructions on how to install/adjust your soft close drawers, go to www.arrowsewing.com/assembly.

At the bottom of the webpage you will find our Product Support Videos.

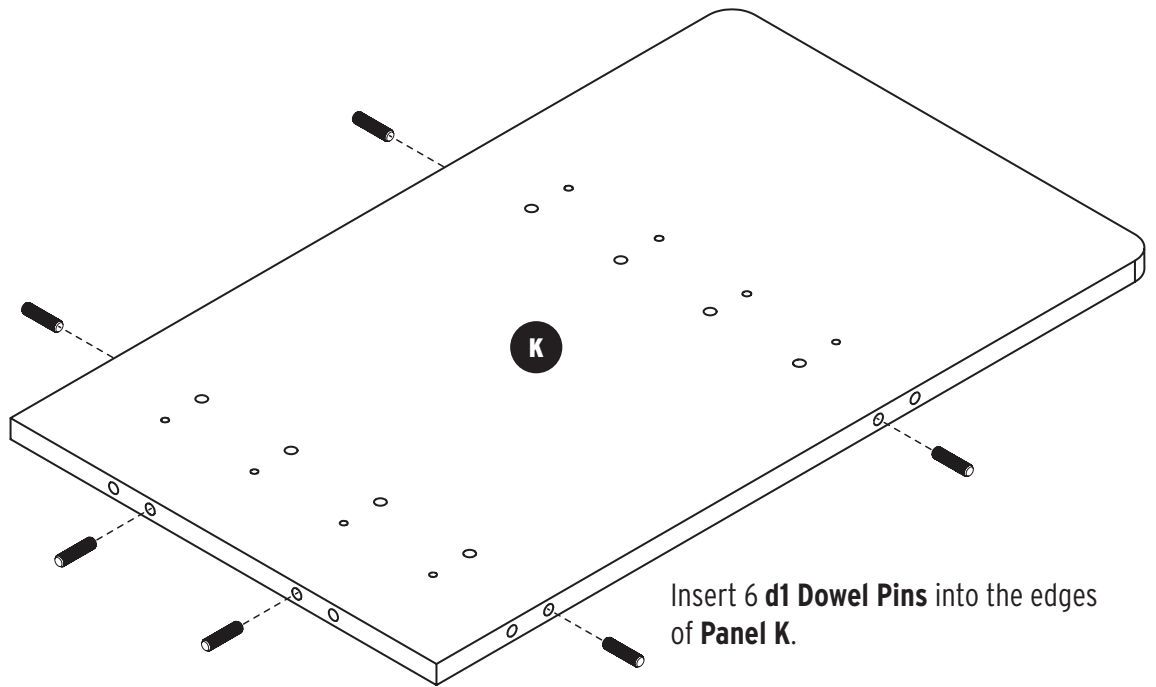
Step 4: Diebrary Drawer



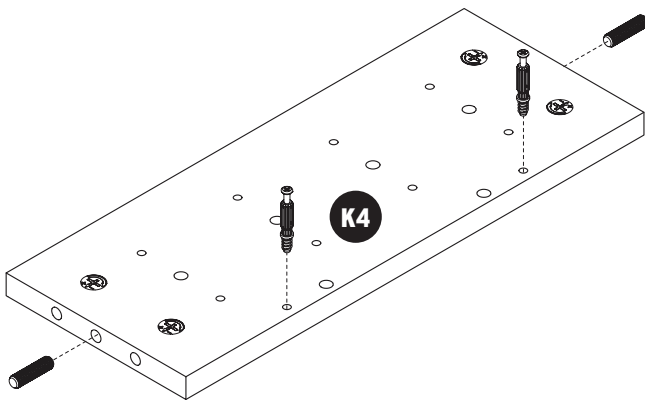
c1 6x35 Cam Bolt **x10**



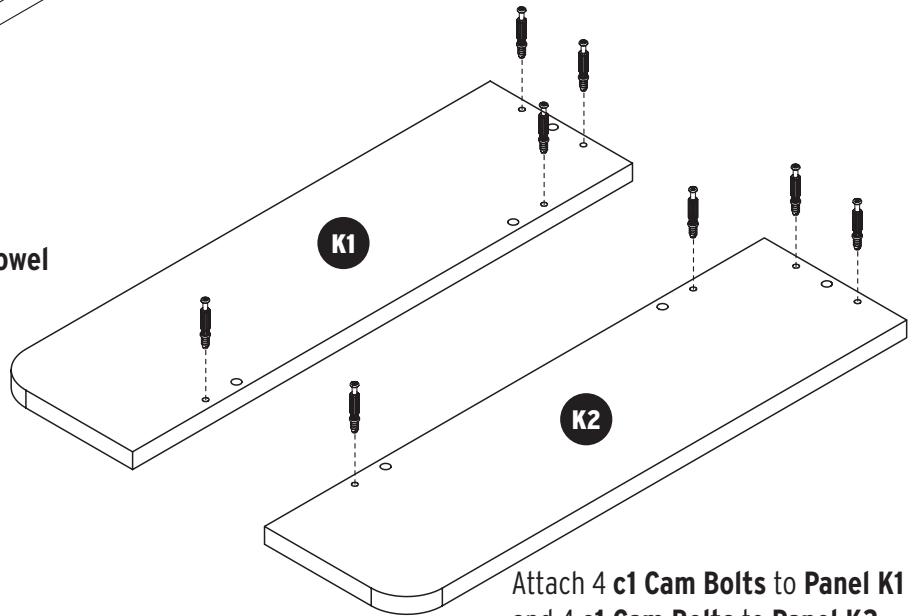
d1 8x30 Dowel Pin **x20**



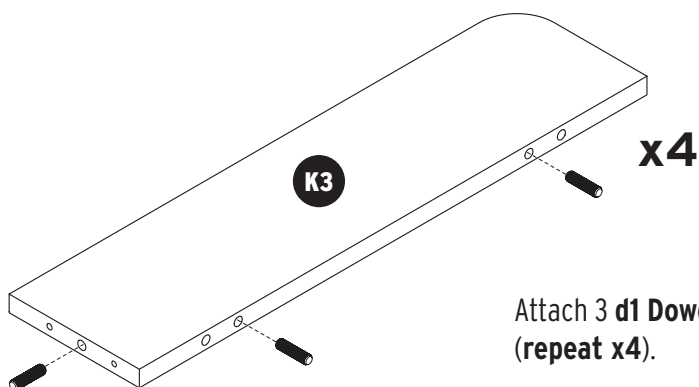
Insert 6 **d1 Dowel Pins** into the edges of **Panel K**.



Attach 2 **c1 Cam Bolts** to **Panel K4**. Insert 2 **d1 Dowel Pins** into the edges of the panel.

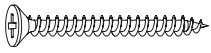


Attach 4 **c1 Cam Bolts** to **Panel K1** and 4 **c1 Cam Bolts** to **Panel K2**.



Attach 3 **d1 Dowel Pins** to each **Panel K3** piece (repeat **x4**).

Step 4: Diebrary Drawer

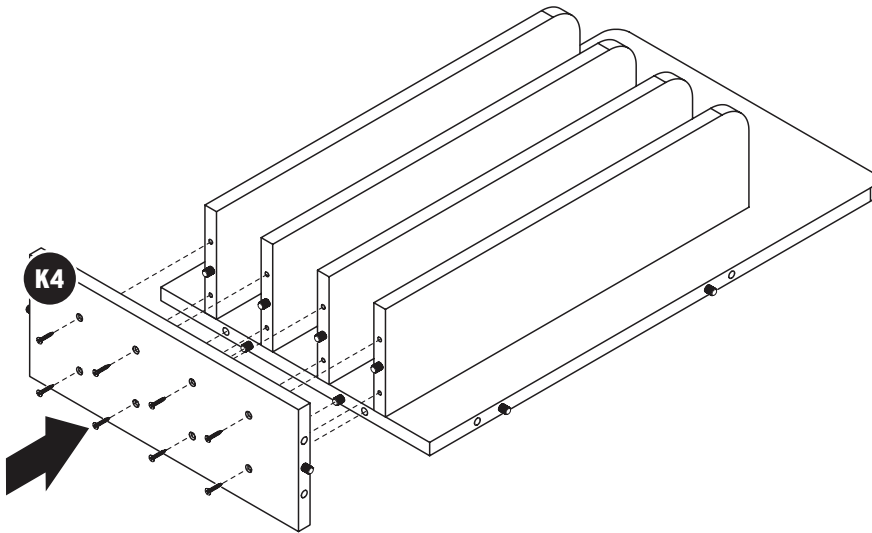
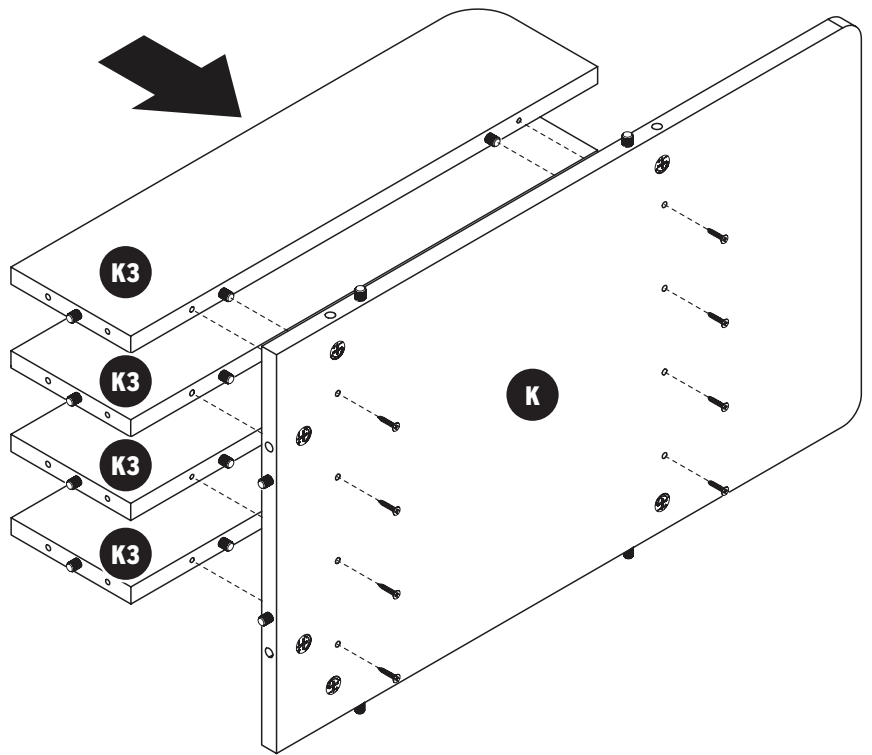


s3 3.5x30 Screw **x16**



c2 5/8" Cam Cover **x8**

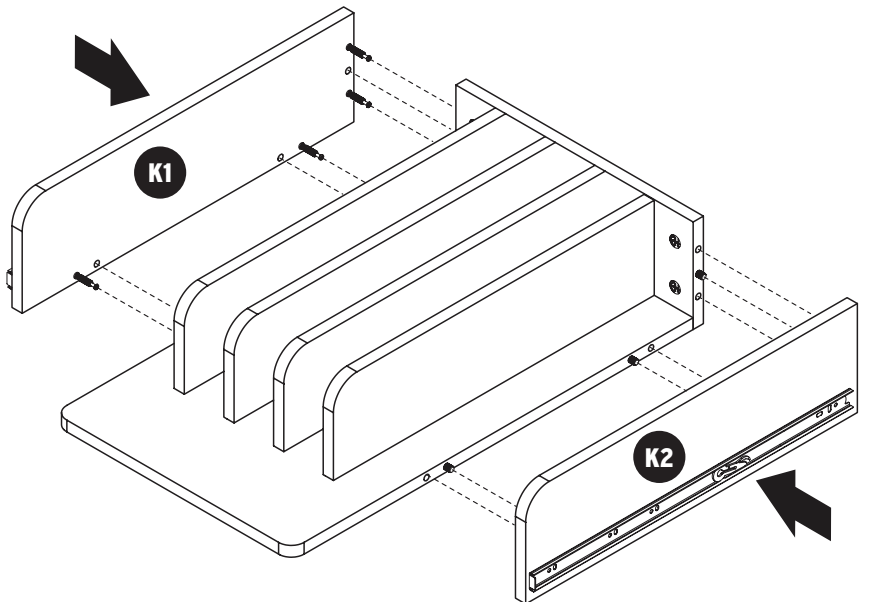
Insert dowel pins on the bottom edges of **K3 pieces** into **Panel K** as shown and secure with **s3 Screws**.



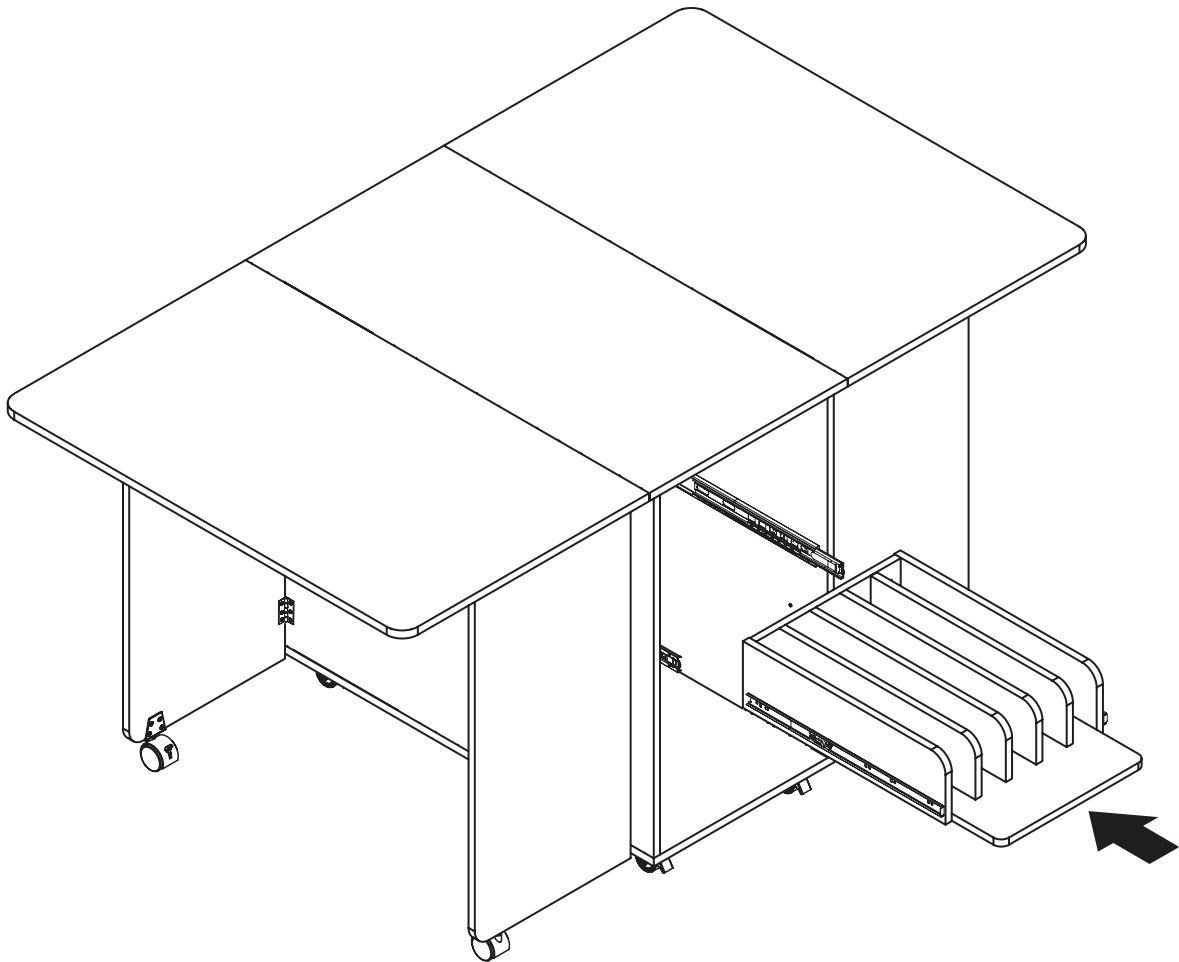
Insert dowels on the back edges of **K3 pieces** into **Panel K4** as shown, sliding cam bolts on **Panel K4** into **Panel K**. Tighten cam locks on the underside of **Panel K** and secure with **s3 Screws** as shown.

Slide cam bolts on **Panels K1 and K2** into cam locks on **Panels K and K4** as shown.

Tighten cam locks and cover with **c2 Cam Covers**.



Step 4: Diebrary Drawer



Fully extend the cabinet rails, align drawer rails, and slide drawer in as shown.

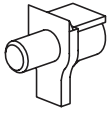
Be sure that the silver ball bearing pieces are positioned all the way to the front of the rails.

TIP: Gently open and close the drawer a few times to engage the Soft Close mechanism.

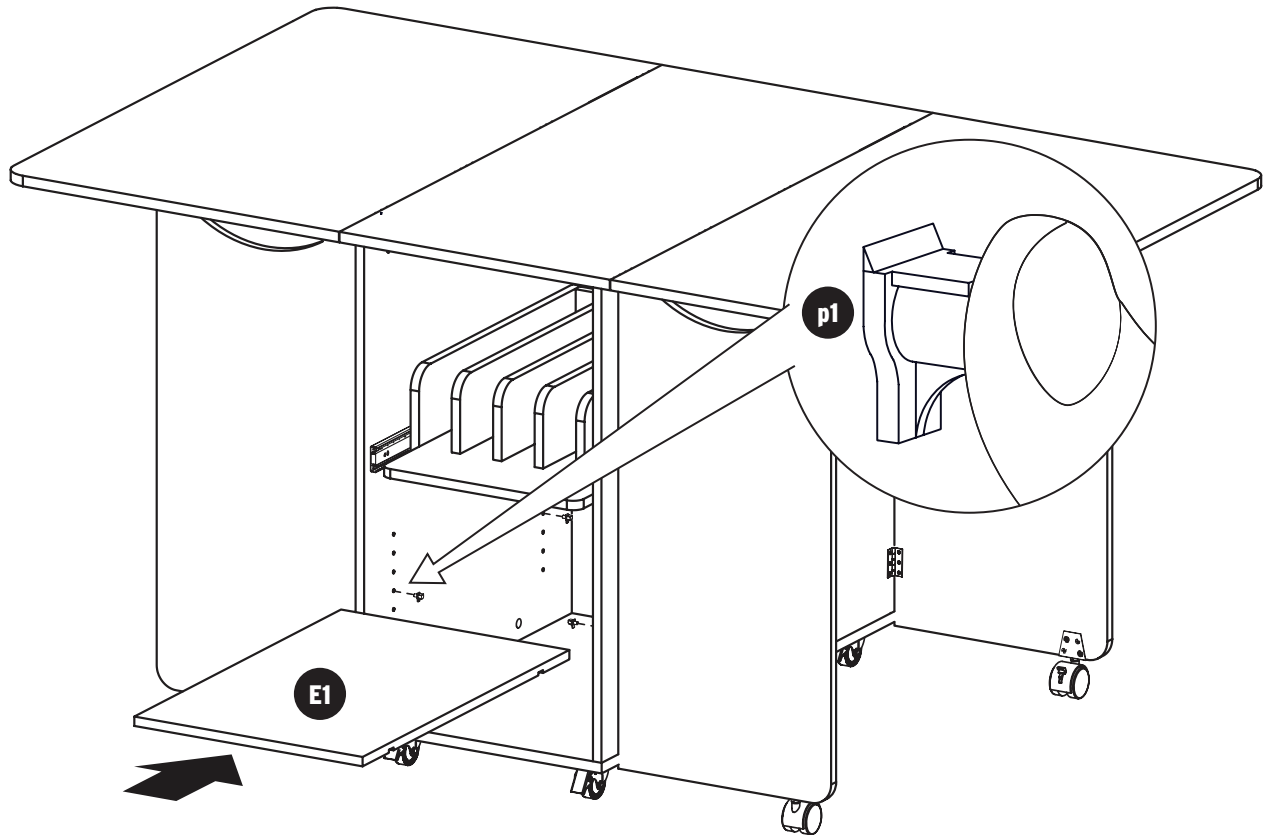
For detailed video instructions on how to install/adjust your soft close drawers, go to www.arrowsewing.com/assembly.

At the bottom of the webpage you will find our Product Support Videos.

Step 5: Adjustable Shelves

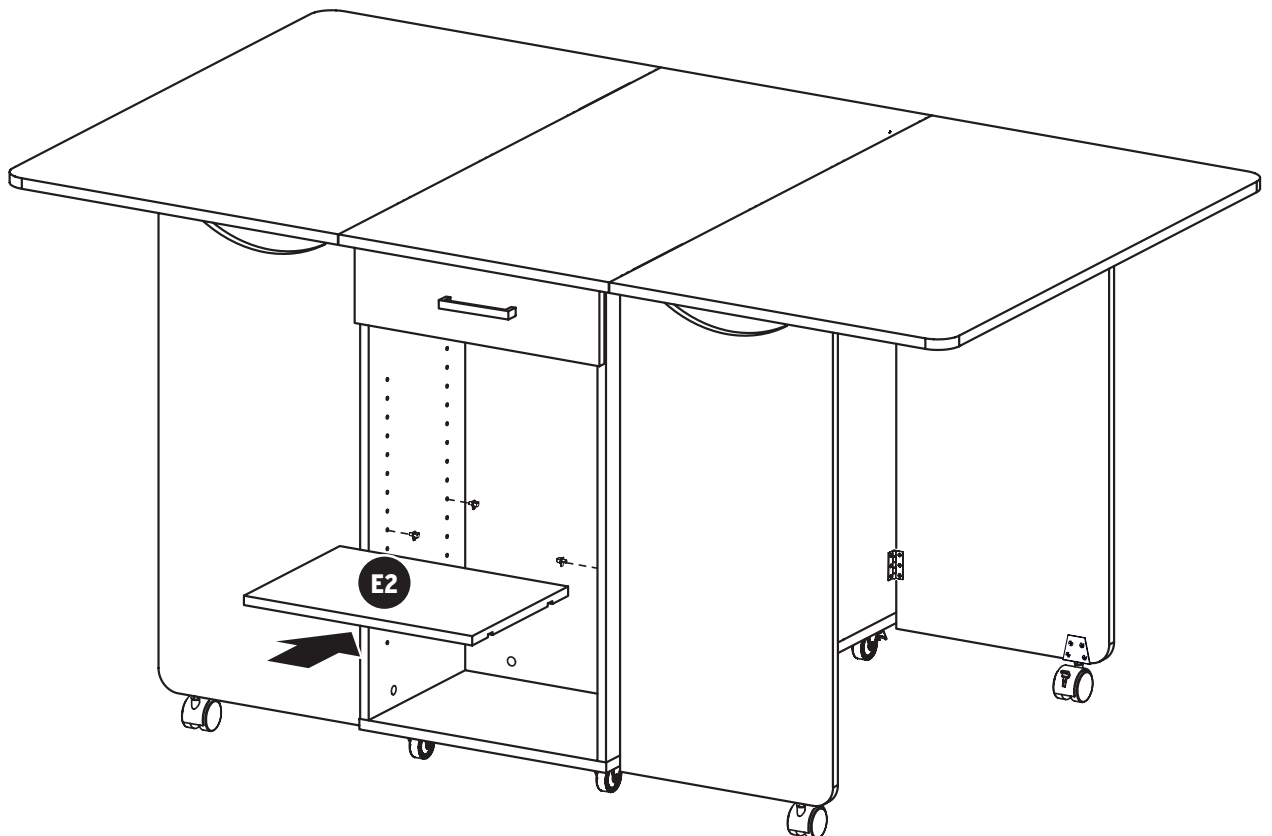


p1 Peg x8

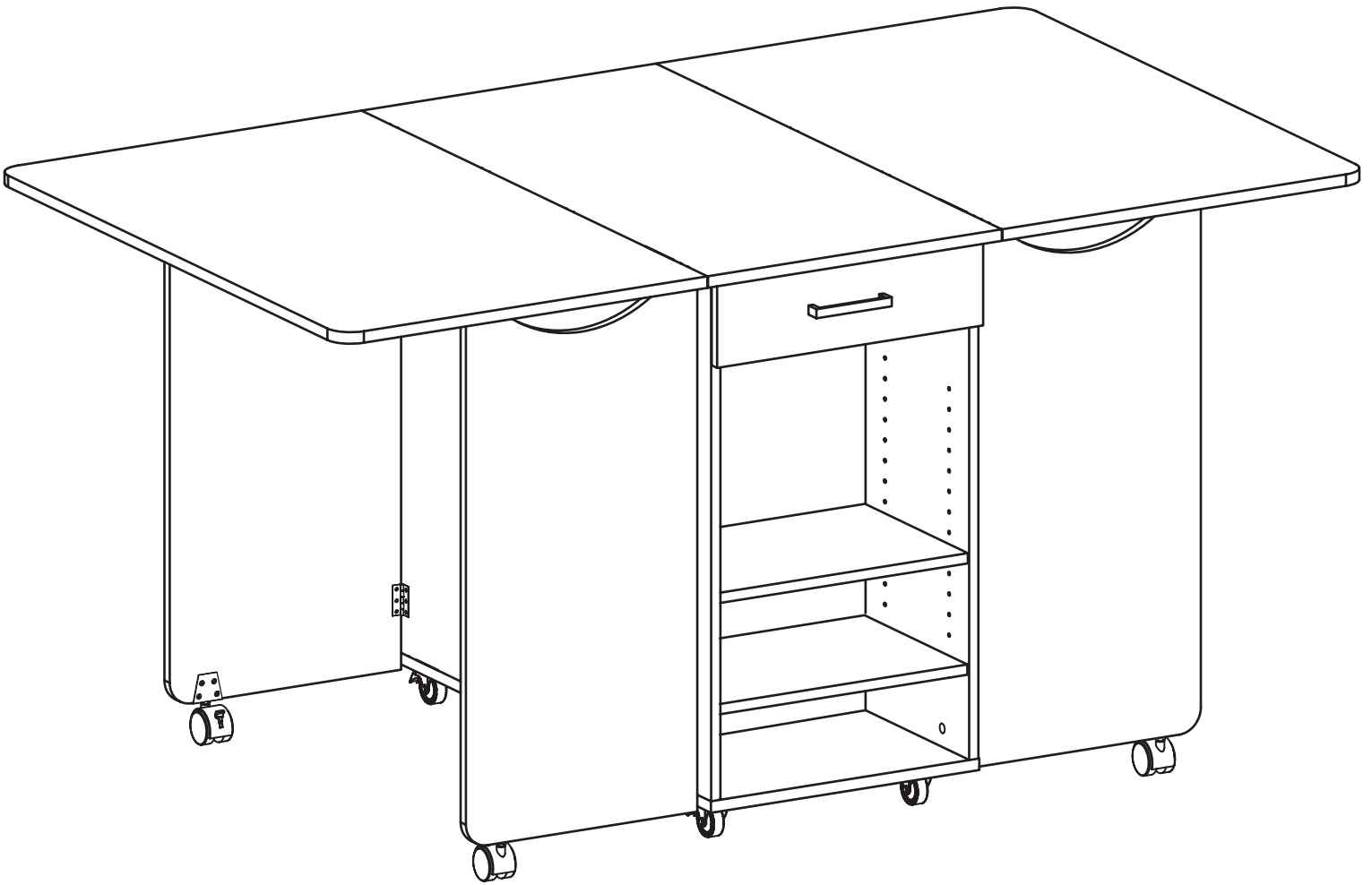


Press **p1 Pegs** into pre-drilled holes as shown, at whatever height you wish.

Slide **Panel E1 and E2** Shelves with cut grooves downwards on top of **p1 Pegs**.



Completed AccuQuilt Cutting Table



Congratulations! A better sewing experience awaits!



KANGAROO™
sewing furniture

LIMITED LIFETIME WARRANTY

Kangaroo™ Sewing Furniture Limited Lifetime Warranty

WHAT THIS WARRANTY COVERS: Arrow Companies, LLC "Arrow" provides a Limited Lifetime Warranty "Warranty" to the original purchaser of this product against defects in materials or workmanship of furniture components. As used in this Warranty, "defect" means imperfections in components which substantially impair the utility of the product. This Warranty gives you specific legal rights, and you may also have other rights which vary from state to state. Electrical and mechanical components of furniture are warranted for 5 years.

HOW TO GET SERVICE: Simply contact Arrow at 1-800-533-7347 or CS@ArrowSewing.com. When you request Warranty service, you must also present proof of purchase documentation, which includes the date of purchase (detailed receipt), and photos of the product. Arrow will replace any defective part (at its sole option), excluding labor. Replacement parts will be warranted for only the remaining period of the original Warranty.

Replacement parts will be shipped freight prepaid on any initial Warranty claim during first year of Warranty only. Warranty applies only to defects confirmed by Arrow and will be replaced or repaired at Arrow's option. In the event parts are no longer available for a Warranty claim, customer may receive a brand new cabinet at a price equal to 60% off the MSRP of a current comparable model.

WHAT'S NOT COVERED: There is no Warranty coverage for defects or conditions that result from the following: Failure to follow product assembly instructions, information or warnings; misuse or abuse; intentional damage; fire, flood, alteration or modification of the product; use of the product in a manner inconsistent with its intended use; any condition resulting from incorrect or inadequate maintenance, cleaning, care or neglect; cuts or scratches; caster damage as a result of moving furniture fully loaded or with locked casters; damage resulting from electrical surge or lightning; or use in commercial or education environments. Kangaroo Sewing Furniture is designed for residential use only.

ARROW SHALL HAVE NO LIABILITY for ANY INCIDENTAL OR CONSEQUENTIAL DAMAGES OF ANY KIND and all such damages are EXCLUDED FROM THIS Warranty, such as loss of use, disassembly, transportation, labor, or damage to property on or near the product. Some states do not allow the exclusion or limitation of incidental or consequential damages, so the above limitation or exclusion may not apply to you. The Warranty cannot be transferred to subsequent owners or users of the product, and it shall be immediately void in the event the product is resold, transferred, leased or rented to any third party or person other than the original purchaser.

ADDITIONAL LIMITATIONS: THERE ARE NO OTHER WARRANTIES APPLICABLE TO THIS PRODUCT. Under the laws of certain states, there may be no implied warranties from Arrow and all implied warranties, INCLUDING ANY IMPLIED Warranty OF MERCHANTABILITY OR FITNESS FOR A PARTICULAR PURPOSE are disclaimed where allowed by law. TO THE EXTENT ANY IMPLIED WARRANTIES ARE APPLICABLE, ANY IMPLIED WARRANTIES, INCLUDING ANY IMPLIED Warranty OF MERCHANTABILITY OR FITNESS FOR A PARTICULAR PURPOSE, ARE LIMITED IN DURATION TO THE DURATION OF THIS EXPRESS Warranty or the minimum period allowed by law, whichever is shorter. Some states do not allow limitations on how long an implied Warranty lasts, so the above limitation may not apply to you. This limited Warranty gives you specific legal rights. This limited Warranty does not, in any way, affect the rights given to you by law.

REGISTER YOUR PRODUCT: Original purchaser should register the purchase online at www.ArrowSewing.com/Warranty.

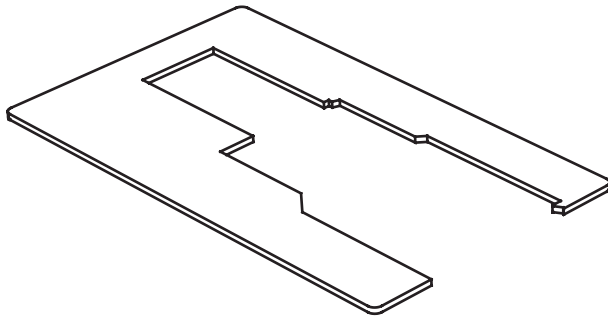
SEW IN COMFORT. SEW LONGER.™



Accessories to Complete Your Sewing Studio

Custom Insert

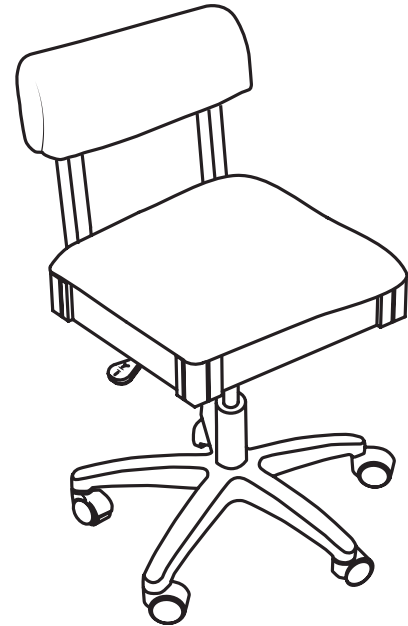
Enhance your sewing experience with a custom acrylic sewing insert! Custom acrylic sewing inserts are designed to fill the gap between your sewing machine and sewing cabinet's lift opening to create a flush, ergonomic surface for flat bed sewing. To ensure a perfect fit, custom acrylic sewing inserts are built specifically for your sewing machine and sewing cabinet combination. Say hello to happy wrists, straighter stitches, and an elevated sewing experience!



Insert

Arrow Sewing Chairs

Arrow's #1 Rated Height Adjustable Sewing Chair is a must have accessory for your dream sewing room! Cute, comfortable and convenient - our lovable sewing chairs feature vibrant sewing themed patterns, 360 swivel access and lumbar support for long hours at your workstation. Don't look now, but under every seat cushion is a hidden storage compartment to store your notions and patterns! Available in 10 colors to perfectly match your sewing sanctuary!



Height Adjustable Sewing Chair

P.O. Box 410 Elkhorn, WI 53121
1-800-533-7347 Ext. 1
CS@ArrowSewing.com
www.ArrowSewing.com

04-26