

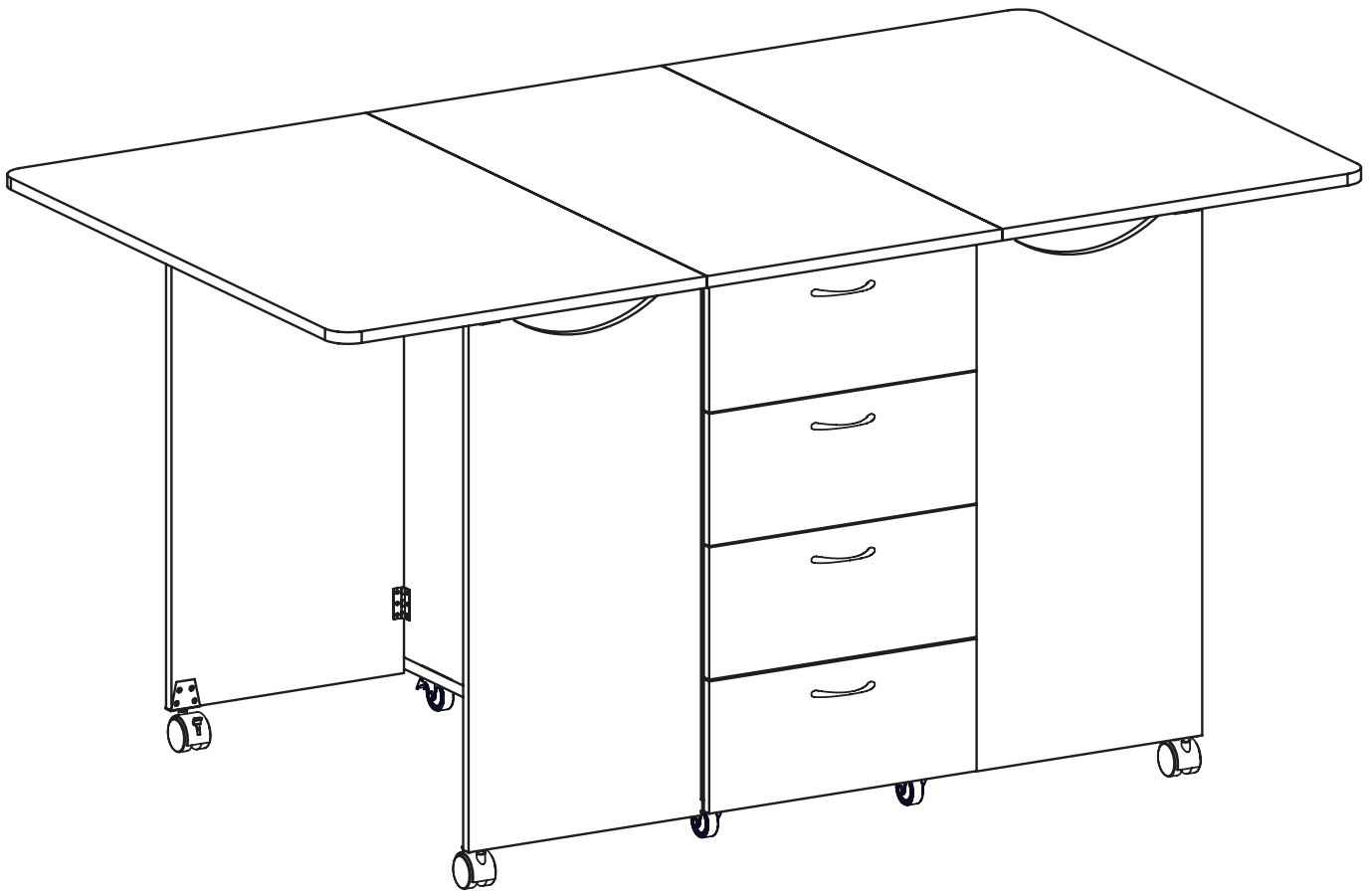


**KANGAROO™**  
sewing furniture

## ASSEMBLY INSTRUCTIONS

# Kookaburra

ITEM NO.: K3451 Ash White  
K3455 Teak



# General Assembly Guidelines

1. Read the instructions carefully before beginning the assembly process to ensure proper assembly of this product. Please open and inspect the contents of box(es) to see that all parts and hardware are included.

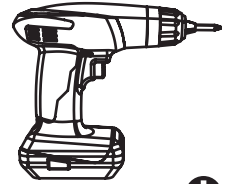
## 2. Tools Required



Phillips Screwdriver ⊕

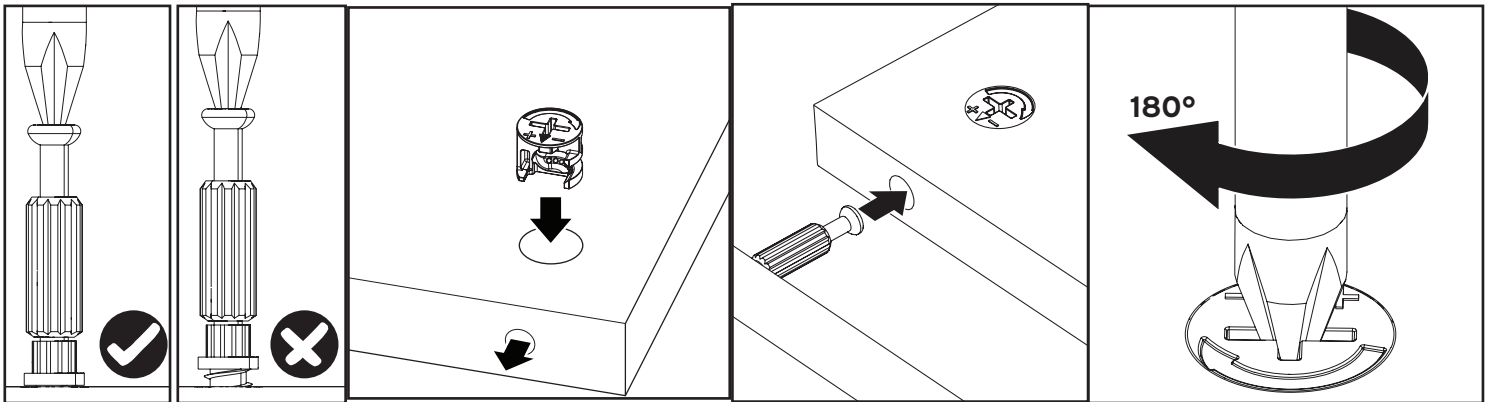


Hammer



Electric Screwdriver ⊕  
Torque set to 3-5

## 3. Understanding How the Cam Fastener Works



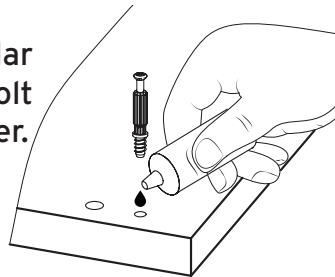
Screw cam bolts flush as illustrated.

Press cam into hole until flush with surface. The arrow direction must be in the direction of the hole.

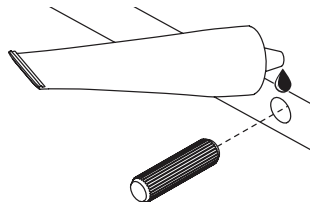
Insert bolt through pre-drilled hole in edge of panel.

Turn clockwise to lock cam with bolt.

**Tip:** place a small bit of WD-40 or similar lubricant into the pre-installed cam bolt holes to help the cam bolts screw in better.



4. **Glue** provided is to secure wood dowels in place and is optional. If glue is used during assembly, locate the appropriate hole for the dowel, place a small amount of glue in the hole and insert the dowel. Wipe away excess glue immediately. It is not necessary to glue the other end of the dowel when attaching to other parts.

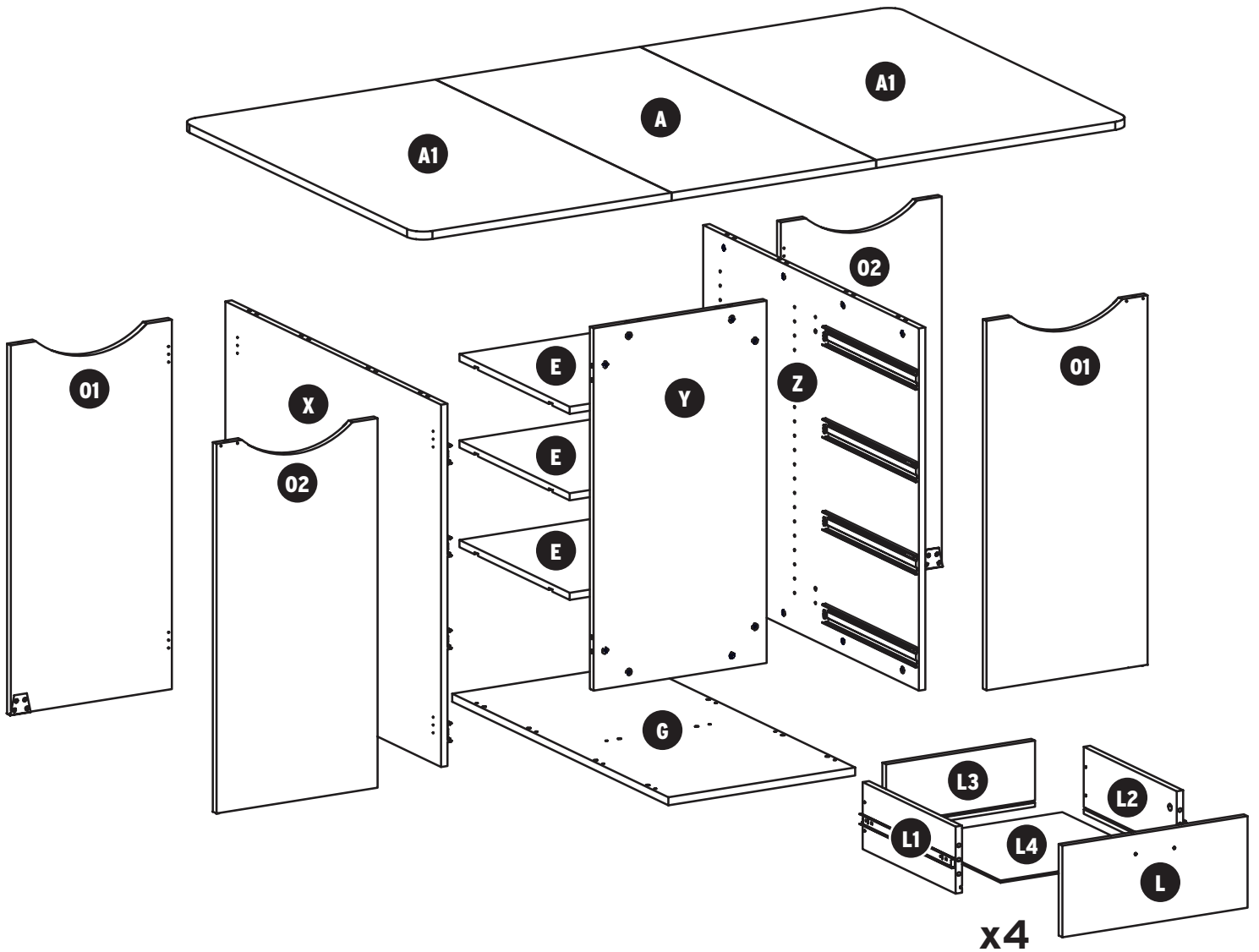


## Use and Care

Your cabinet normally requires a minimum amount of maintenance; however, it is worth noting the following for regular cleaning:

To remove marks and enhance the surface, wipe with a gentle all-purpose cleanser. **DO NOT** use ammonia-based, harsh chemicals or abrasive cleaning agents. Wipe dry immediately.

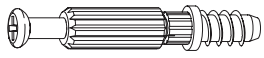
# Parts List: Panels



ITEM	DESCRIPTION	QTY.	PACK.	ITEM	DESCRIPTION	QTY.	PACK.
Y	Center Panel	1	1 of 4	X	Left Side Panel	1	3 of 4
L	Drawer Front Panel	4	1 of 4	Z	Right Side Panel	1	3 of 4
L1	Drawer Left Side Panel	4	1 of 4	G	Bottom Panel	1	4 of 4
L2	Drawer Right Side Panel	4	1 of 4	01	Leaf Support Panel	1	4 of 4
E	Shelf Panel	3	1 of 4	02	Leaf Support Panel	1	4 of 4
	Hardware & Instructions	1	1 of 4				
A1	Side Leaf Panels	2	2 of 4				
A	Top Panel	1	2 of 4				

# Parts List: Hardware

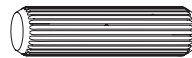
**TIP: Keep all the parts in their individually labeled bags. This will make finding parts easier as you assemble your cabinet.**



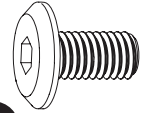
**c1** 6x35 Cam Bolt **x40**



**c2** 5/8" Cam Cover **x40**



**d1** 8x30 Dowel Pin **x32**



**b1** 8x16 Fix Bolt **x20**



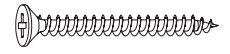
**b2** 4x24 Fix Bolt **x8**



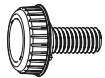
**s1** 3.5x14 Screw **x92**



**s2** 3x14 Screw **x8**



**s3** 3.5x30 Screw **x16**



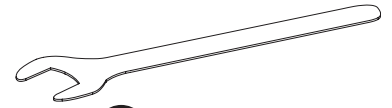
**s5** Alignment Pin **x4**



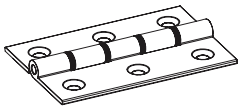
**a** Allen Wrench **x1**



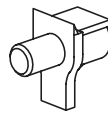
**h** Handle **x4**



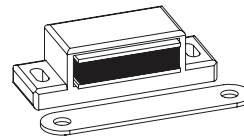
**r3** 14mm Wrench **x1**



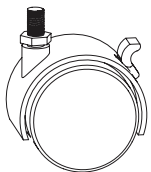
**h1** Butt Hinge **x14**



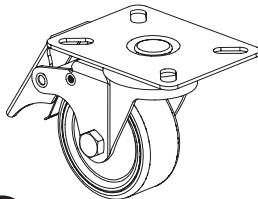
**p1** Peg **x12**



**m** Magnet **x4**  
Catch plate **x4**



**t1** Caster **x4**



**t2** Locking Plate Caster **x5**

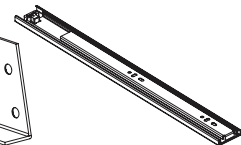
## Pre-installed parts



**c5** Cam



Caster Bracket

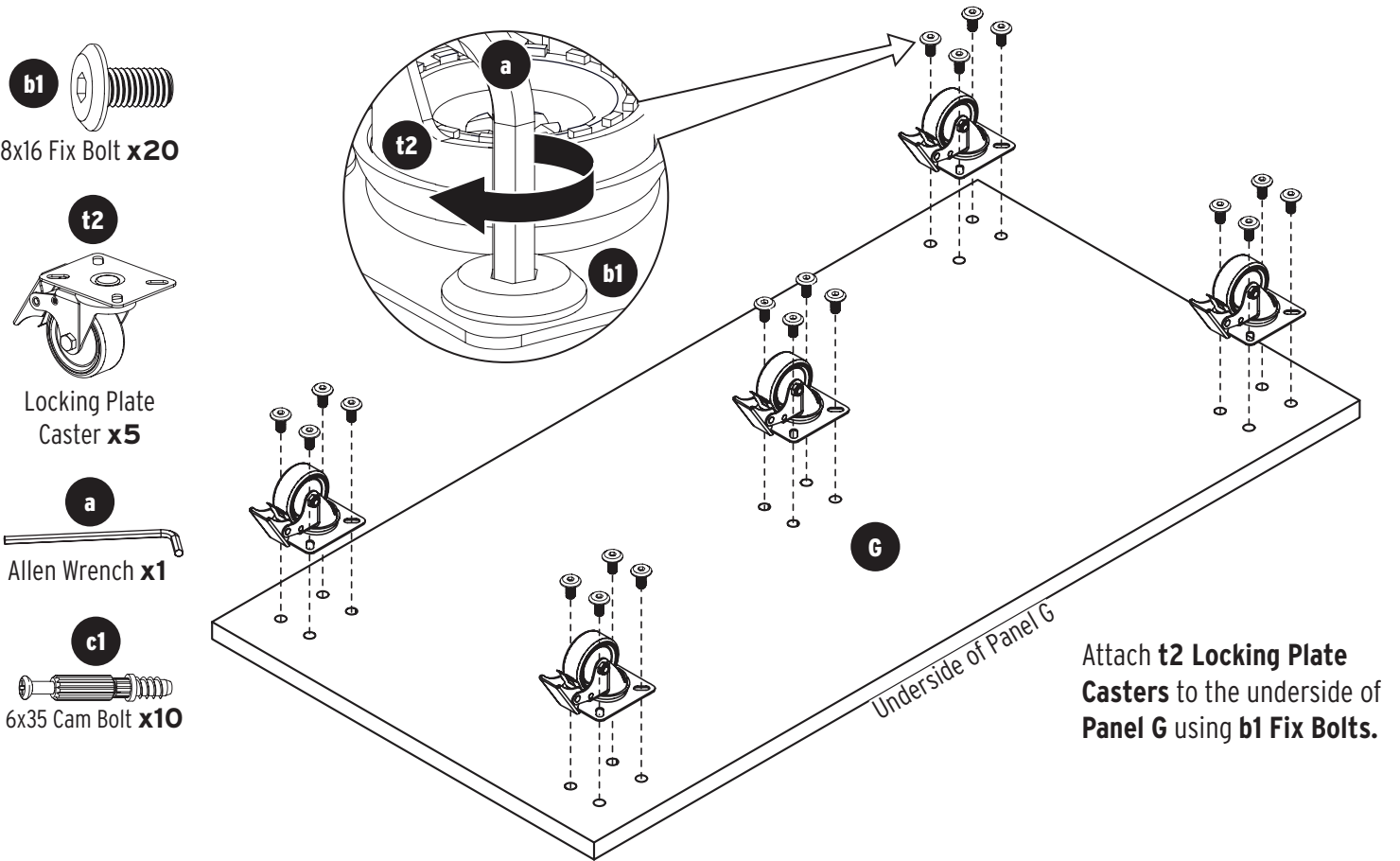


Drawer Runners

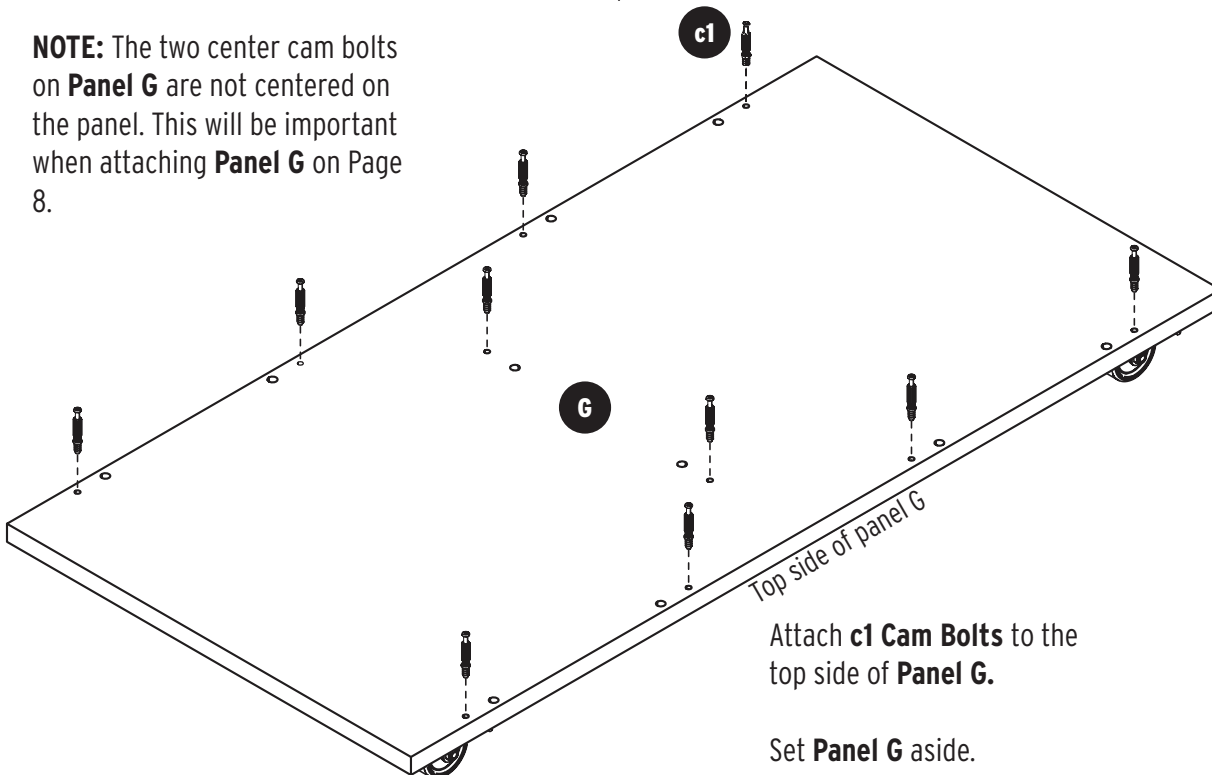
# Step 1: Cabinet Shell

Congratulations and welcome to Kangaroo Sewing Furniture! We can't wait to get your brand new Kookaburra Cutting Table up and running. Please contact our Customer Service Team at 1-800-533-7347 ext. 1 during normal business hours with any assembly related questions.

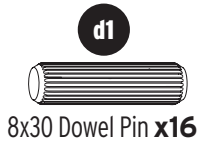
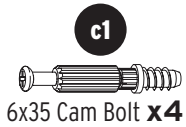
Please note that due to the size of this cutting table, assembly will require two people, beginning with Step 2.



**NOTE:** The two center cam bolts on **Panel G** are not centered on the panel. This will be important when attaching **Panel G** on Page 8.

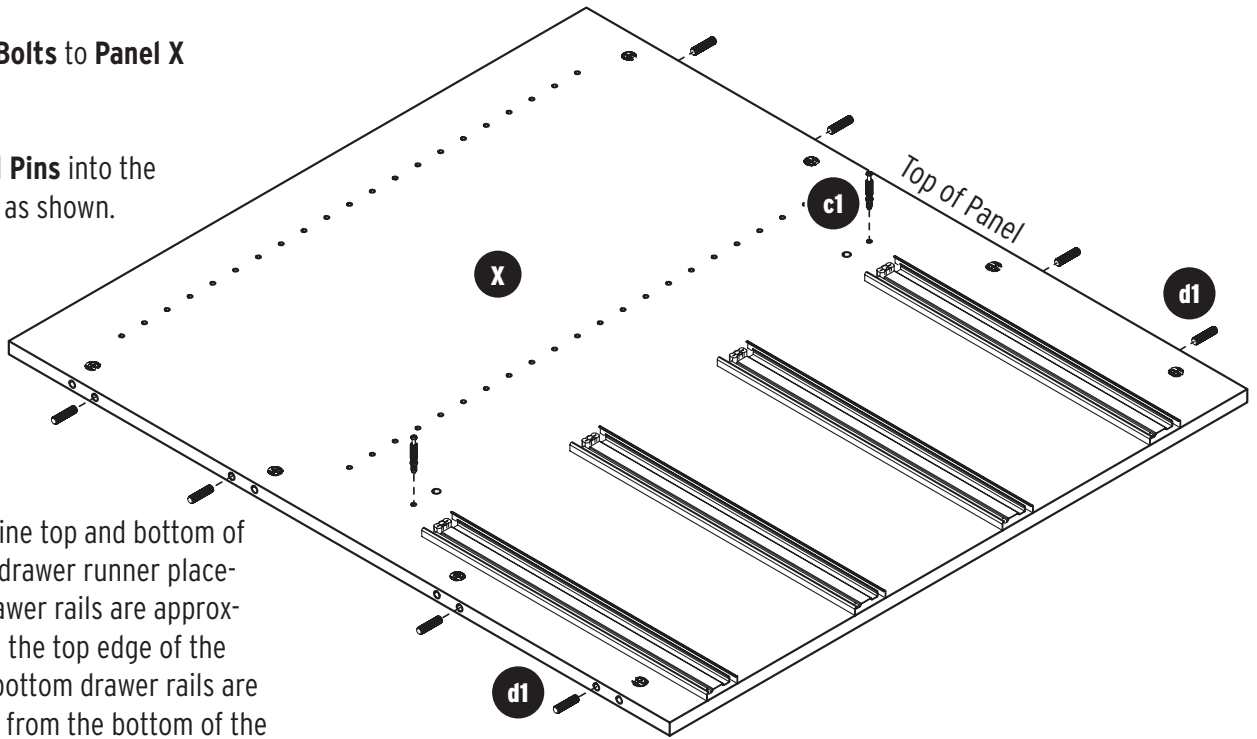


# Step 1: Cabinet Shell

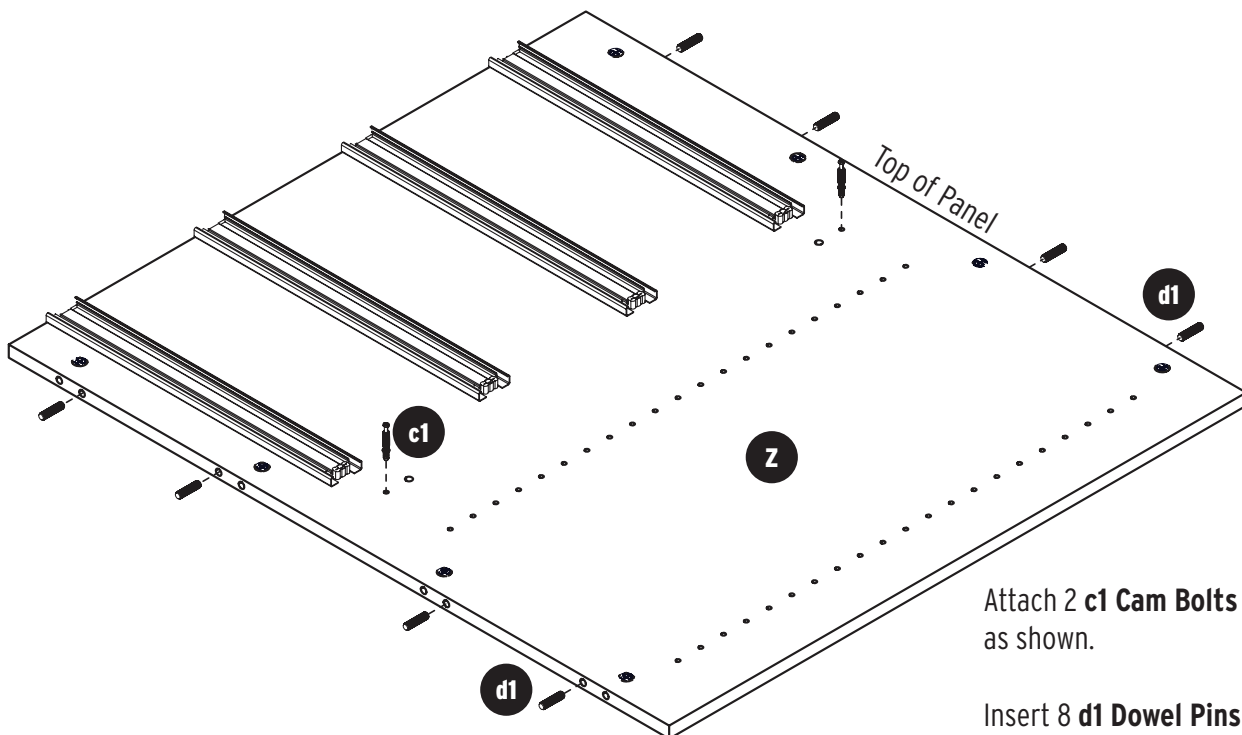


Attach 2 **c1 Cam Bolts** to **Panel X** as shown.

Insert 8 **d1 Dowel Pins** into the edges of **Panel X** as shown.



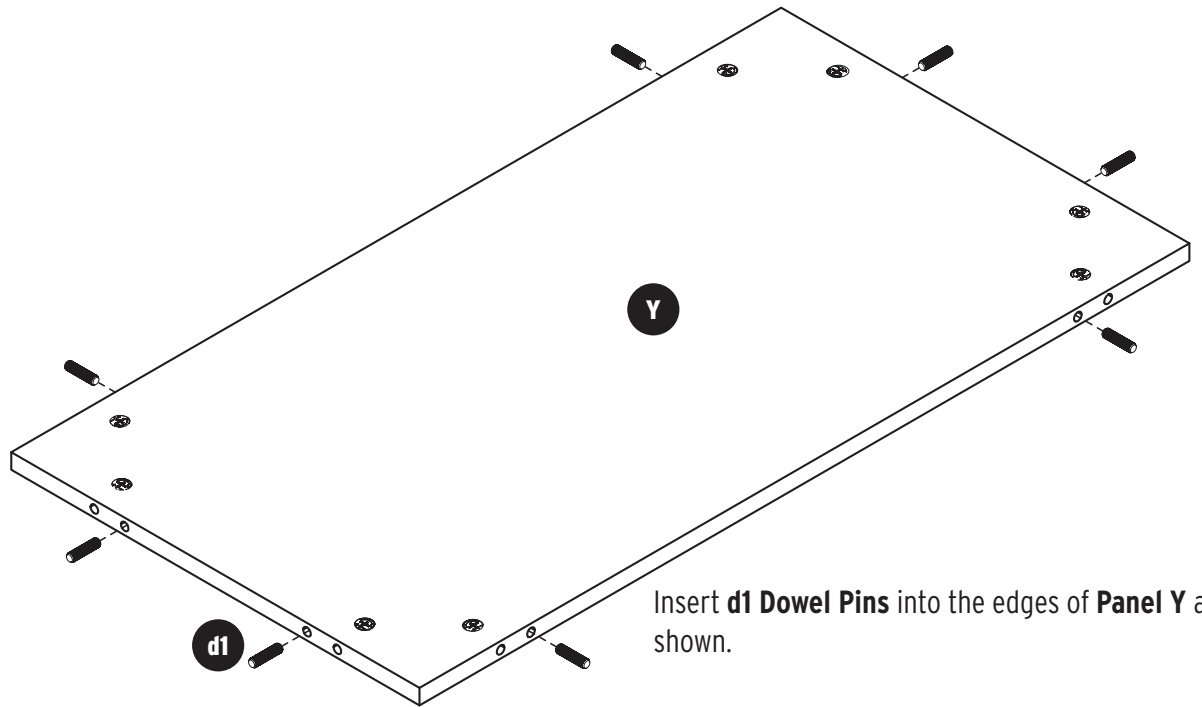
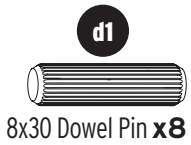
**NOTE:** To determine top and bottom of the panel, check drawer runner placement. The top drawer rails are approximately 3.5" from the top edge of the panel, while the bottom drawer rails are approximately 2" from the bottom of the panel. See illustrations to the right and below.



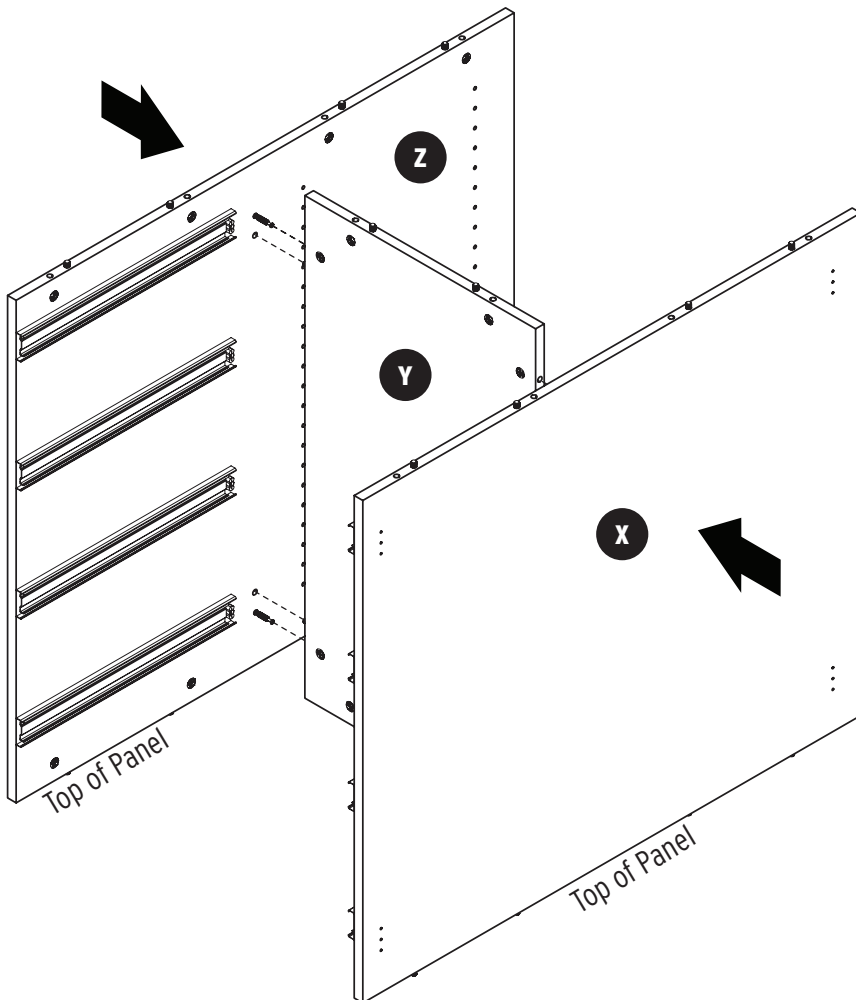
Attach 2 **c1 Cam Bolts** to **Panel Z** as shown.

Insert 8 **d1 Dowel Pins** into the edges of **Panel Z** as shown.

# Step 1: Cabinet Shell



**NOTE:** The following 2 steps are shown with cabinet panels upside down. This makes assembly easier.



Attach **Panels X and Z** to **Panel Y**, inserting cam bolts into cam locks. Tighten cam locks and apply **c2 Cam Covers**.

Because these panels are being assembled upside down, the tops of **Panels X and Z** will be on the floor.

*Pay close attention to the TOP vs BOTTOM of **Panels X and Z** as determined on Page 6 of this manual.*

# Step 1: Cabinet Shell

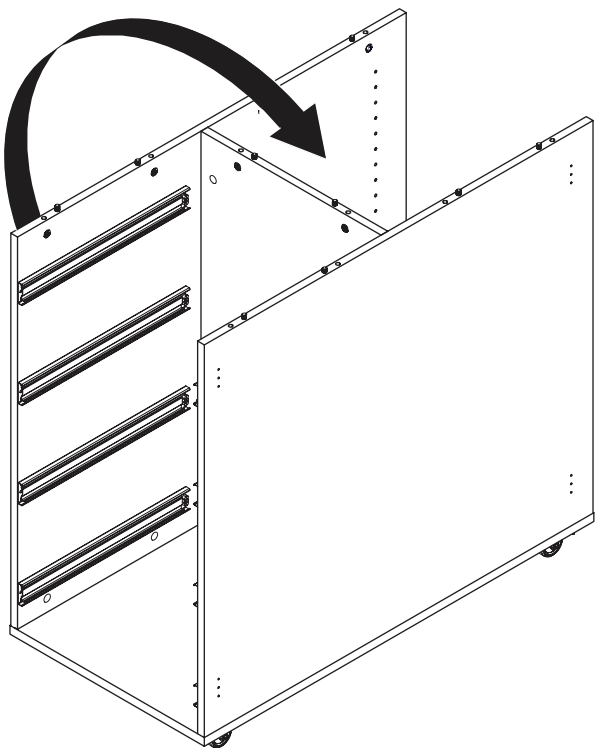
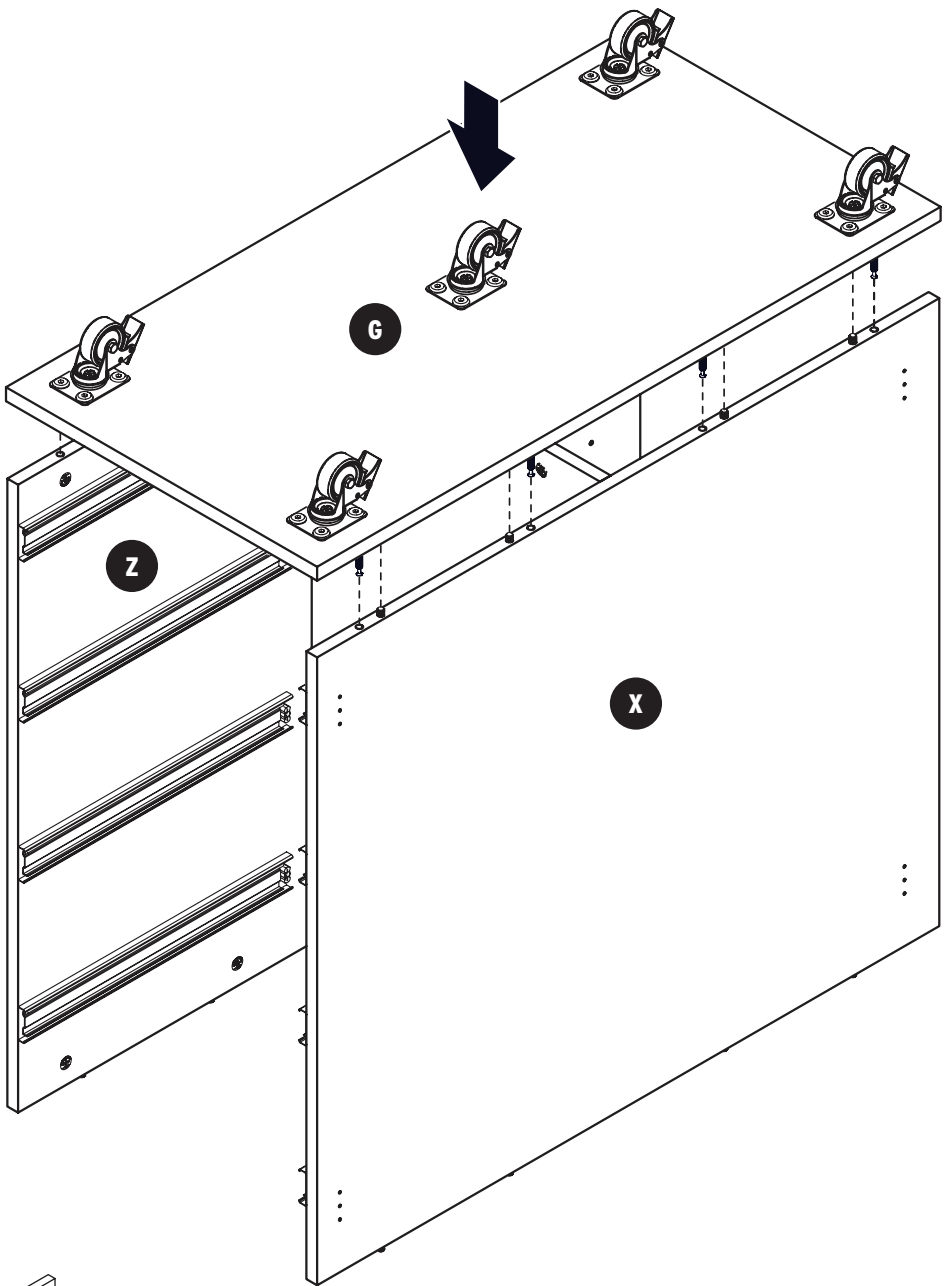
c2



$\frac{5}{8}$ " Cam Cover x10

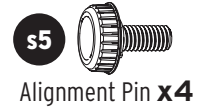
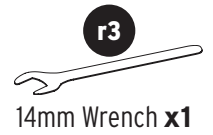
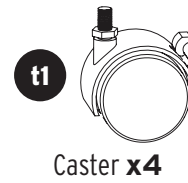
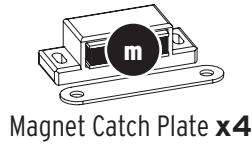
Attach **Panel G** to **Panels X, Y and Z**, aligning arrows on **Panel G** and **Panel X**, and inserting cam bolts into cam locks. Tighten cam locks and apply **c2 Cam Covers**.

**WARNING:** The center cam bolts on **Panel G** will only fit into **Panel Y** if **Panel G** is positioned correctly. Be careful to align cam bolts on **Panel G** correctly with cam locks on **Panels X, Y and Z**.

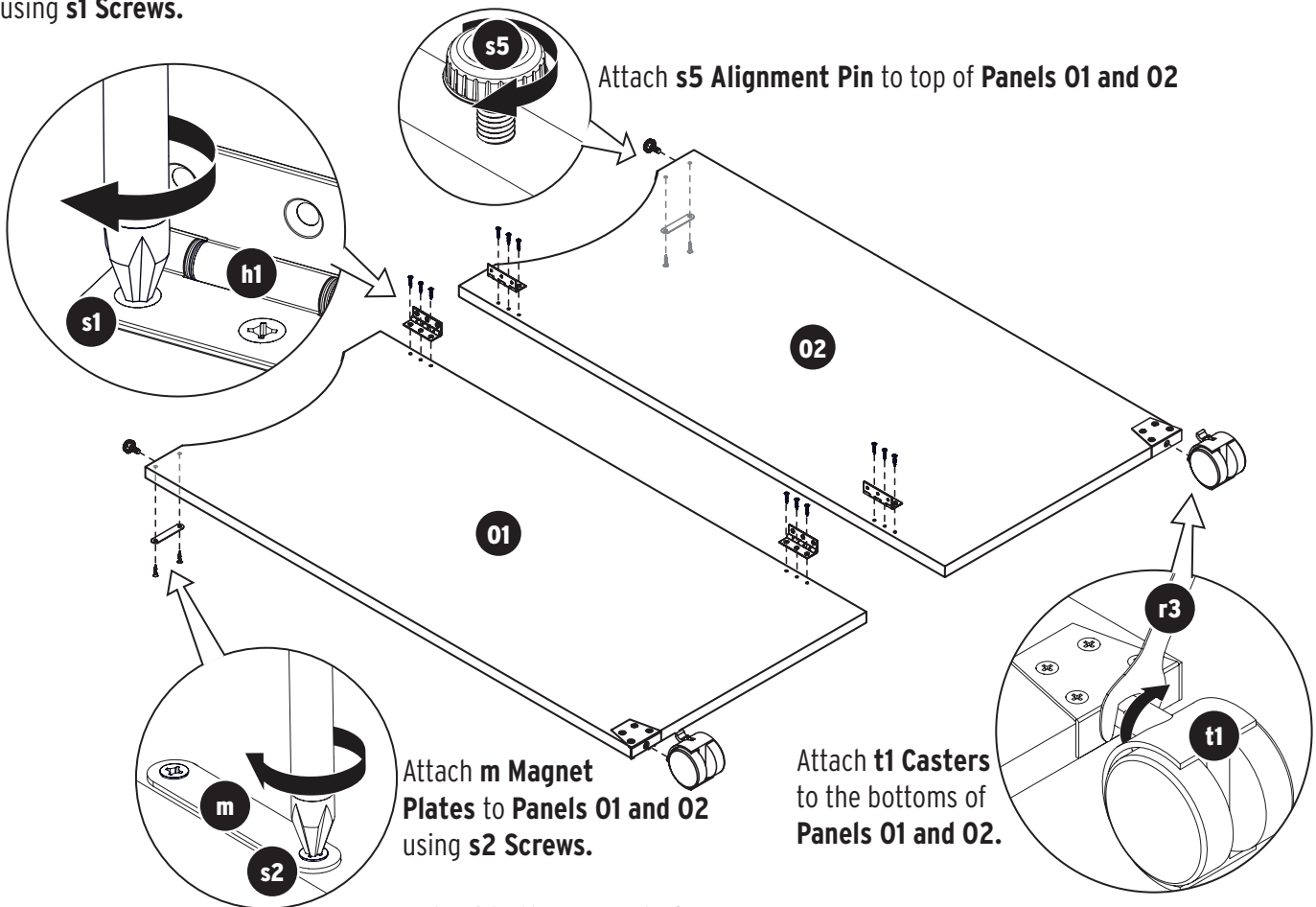


Make sure casters are locked and flip cabinet over onto its wheels. You will need someone to help you with this step!

# Step 2: Gate Legs, Extension Leaves, and Top



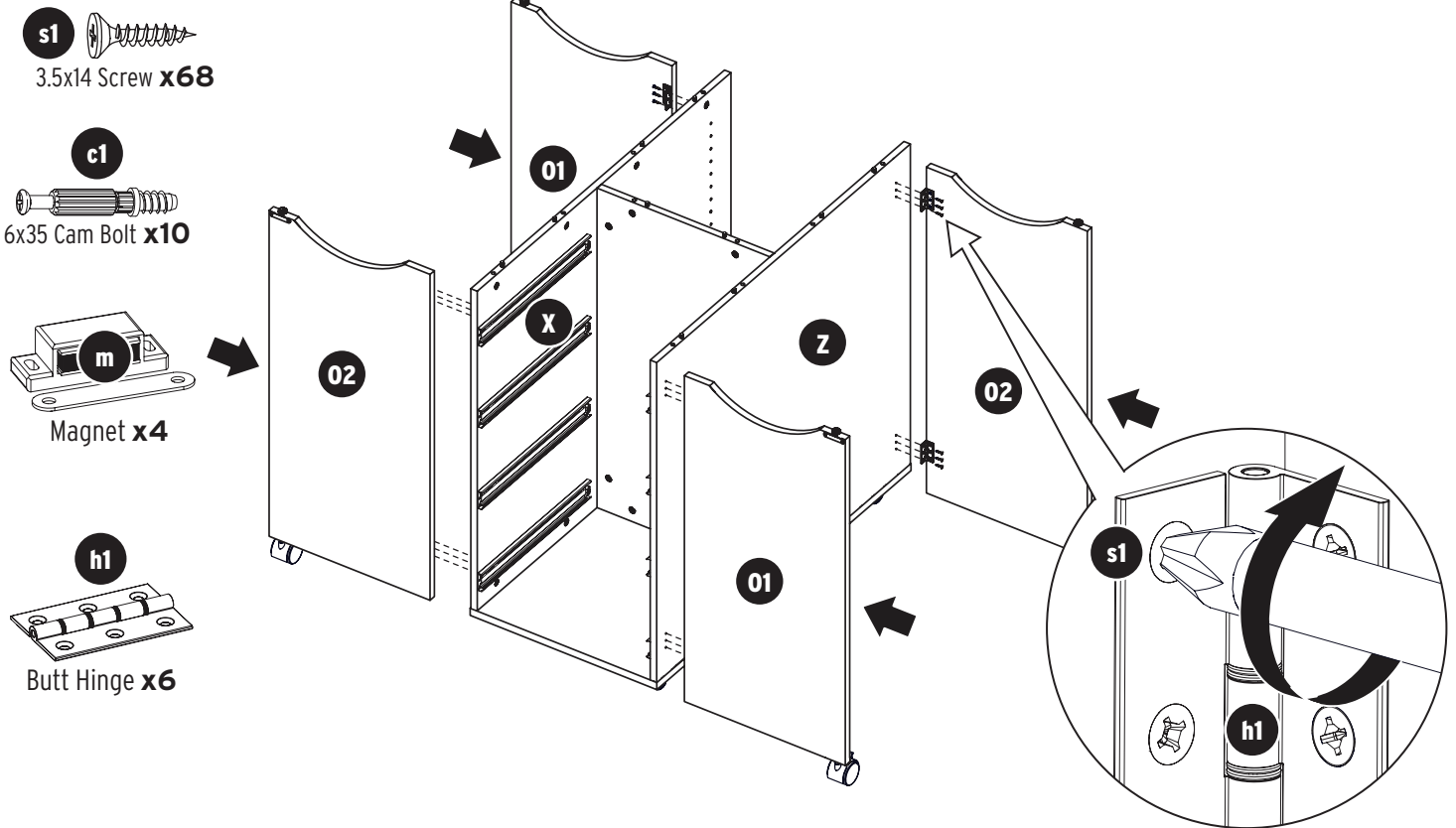
Attach **h1 Butt Hinge** to **Panels 01 and 02** as shown, using **s1 Screws**.



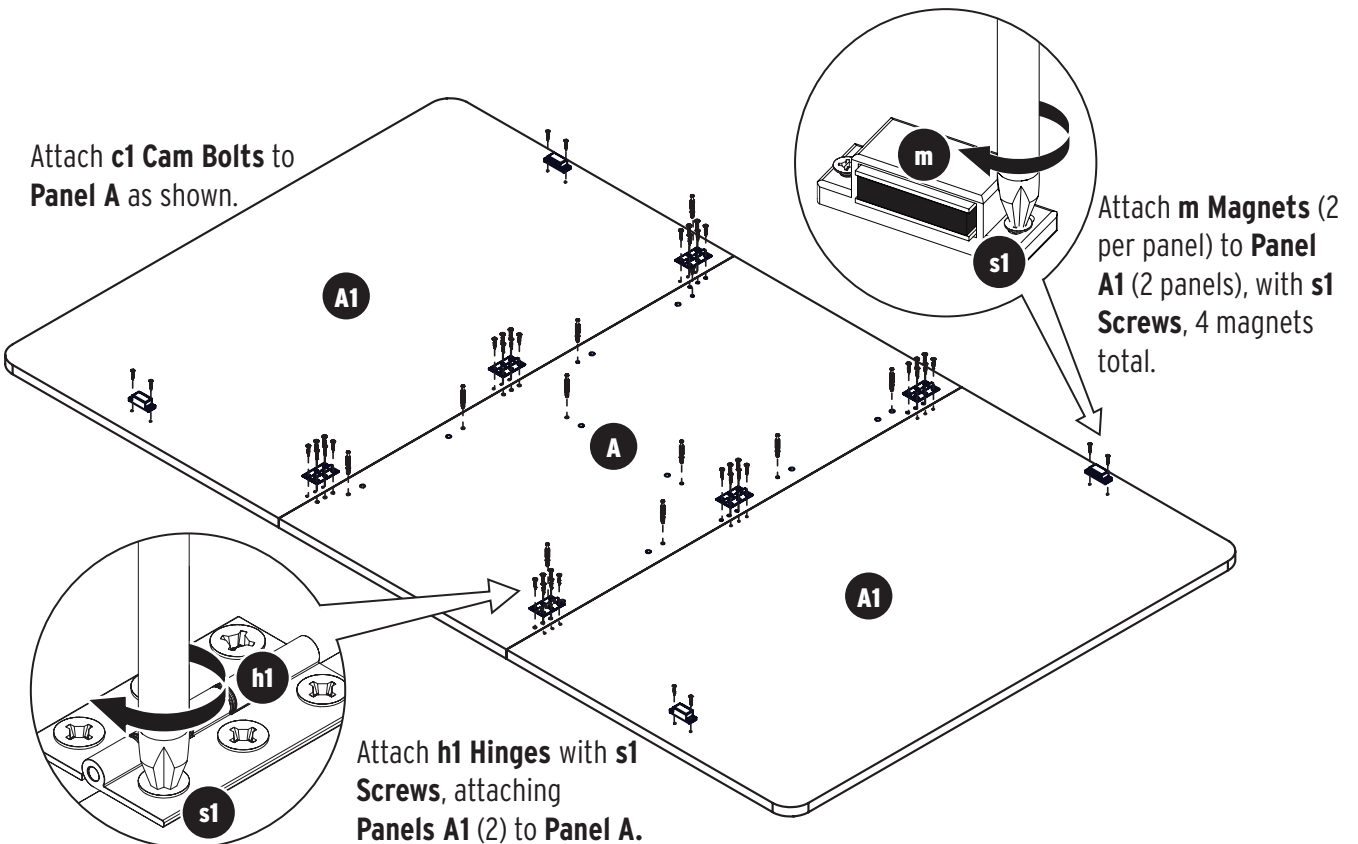
**Set aside the magnets for later use.**

**x2**

# Step 2: Gate Legs, Extension Leaves, and Top



Locate the pilot holes on **Panels X and Z** and attach **h1 Butt Hinges** on **Panels 01 and 02** using **s1 Screws** as shown.



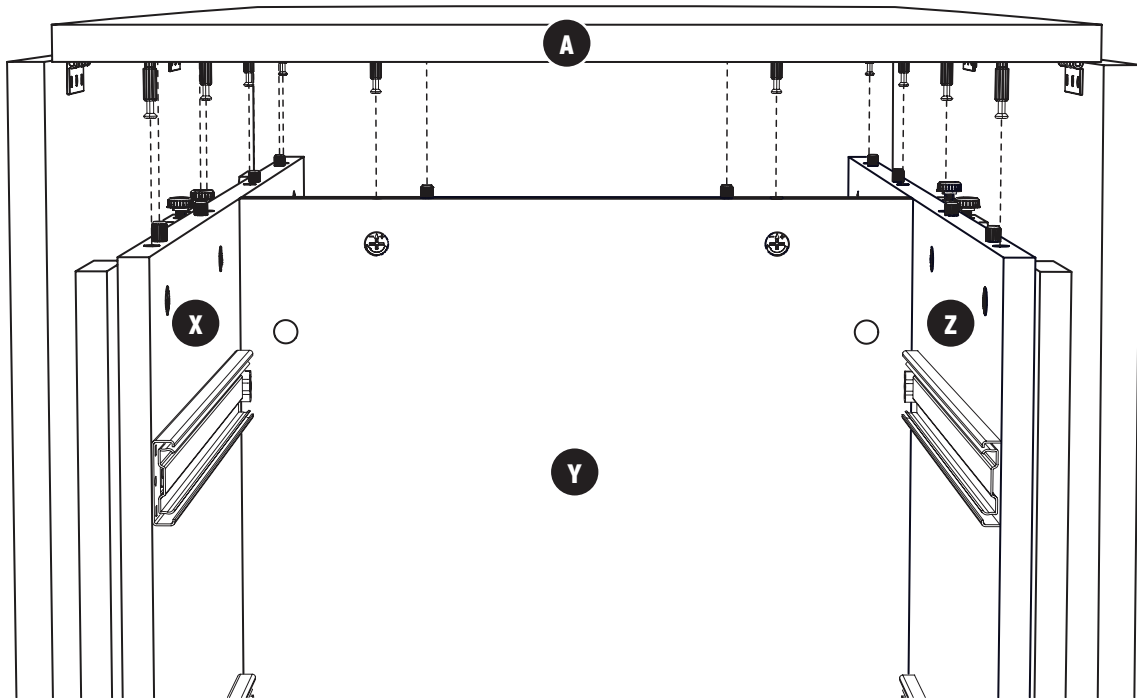
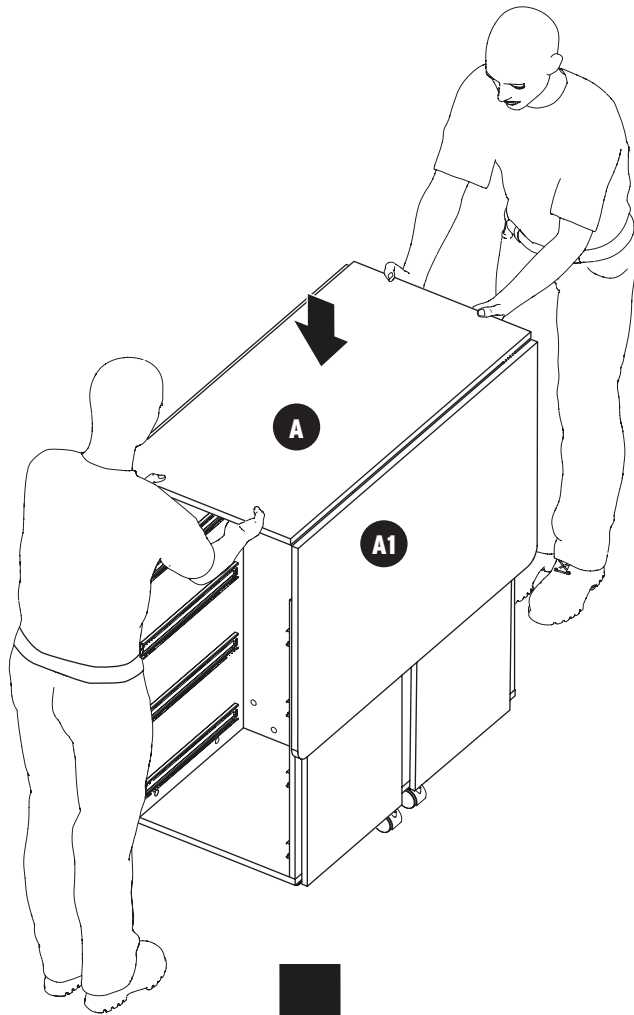
## Step 2: Gate Legs, Extension Leaves, and Top



**This step will require two people.**

Grasp **Panel A** as shown and gently lower on to **Panels X, Y and Z**, inserting cam bolts into cam locks as shown below.

Tighten cam locks and apply **c2 Cam Covers**.

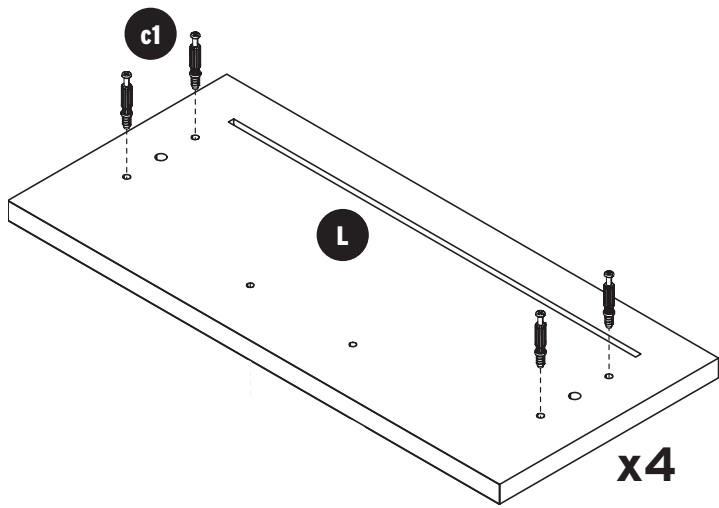


# Step 3: Drawers and Shelves

**c1**



**d1**



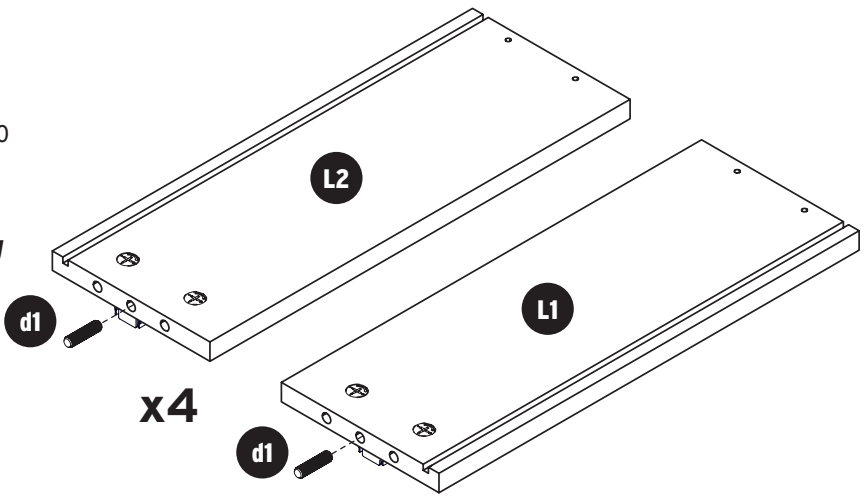
Attach 4 **c1** Cam Bolts to Panel **L**.

*Repeat with remaining 3 panels (4 panels total).*

**x4**

Attach 1 **d1** Dowel Pin to Panels **L1** and **L2**.

*Repeat with remaining 3 **L1** and **L2** panels (4 **L1** panels total, 4 **L2** panels total).*



**x4**

# Step 3: Drawers and Shelves



**h** Handle **x4**



**b2** 4x24 Fix Bolt **x8**

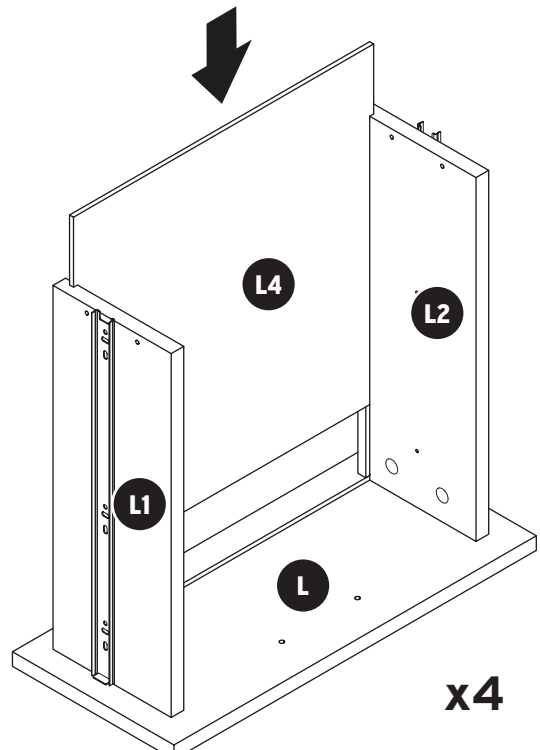
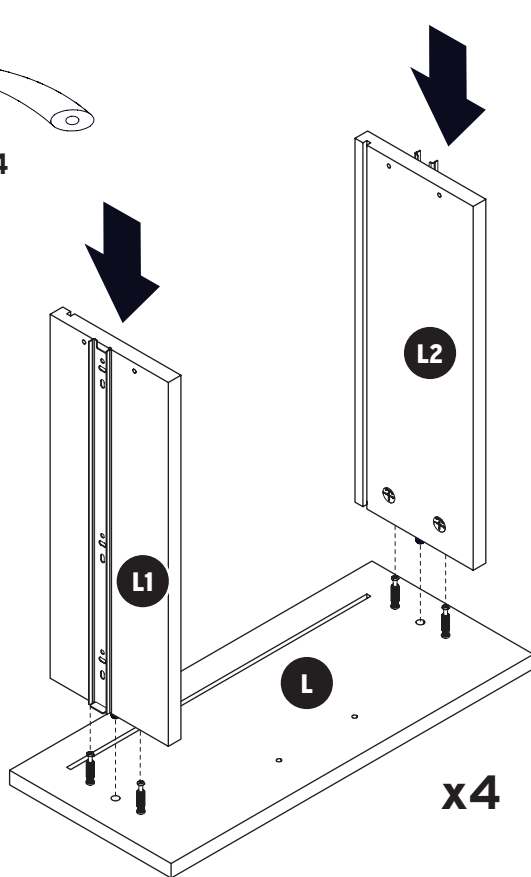
**s3**



3.5x30 Screw **x16**

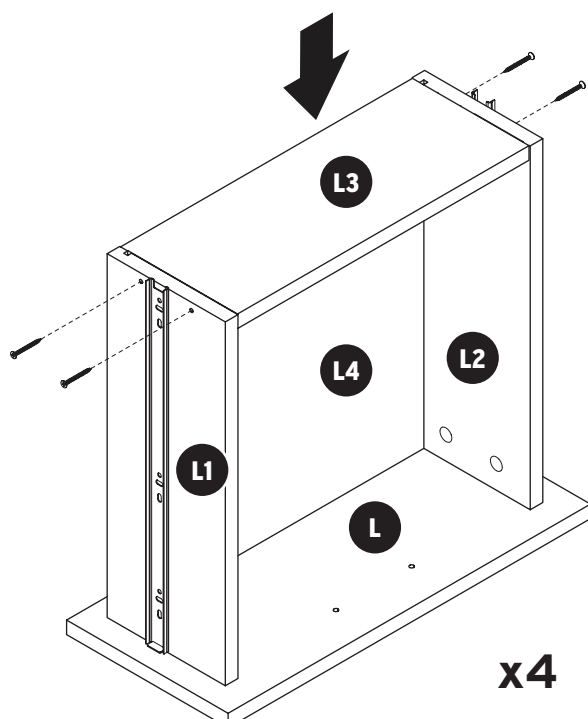


**c2** 5/8" Cam Cover **x16**

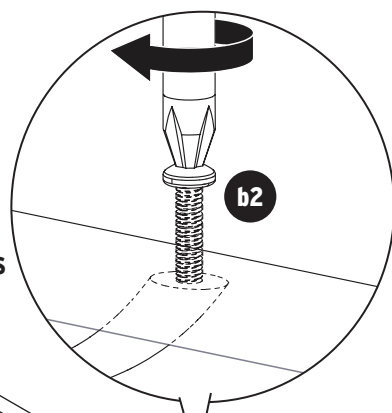


Slide **Panel L4** into **Panel L, L1 and L2** grooves as illustrated.

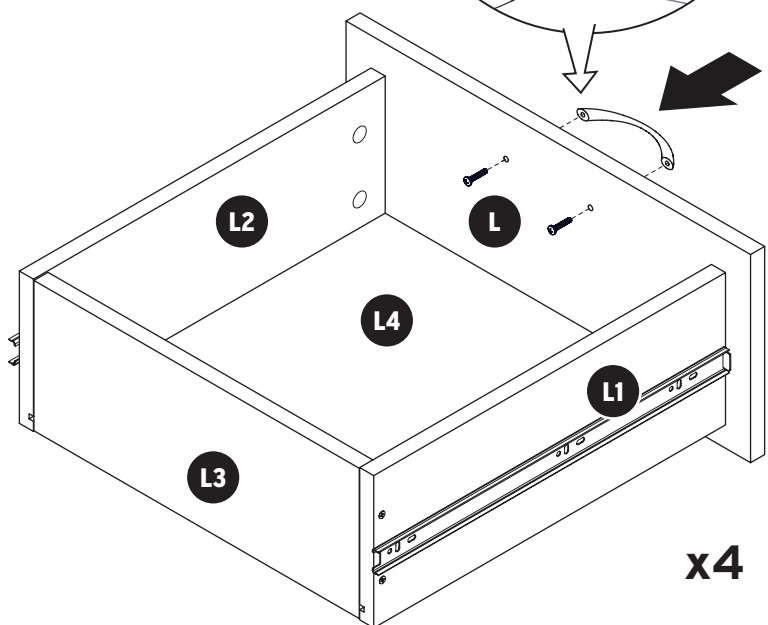
Attach **Panels L1 and L2** to **Panel L**, inserting cam bolts into cam locks. Tighten cam locks and apply **c2 Cam Covers**.



Attach **Panel L3** to **Panels L1 and L2** as shown with **s3 Screws**.



Attach **h Handle** with **b2 Fix Bolts** as shown.



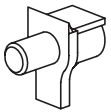
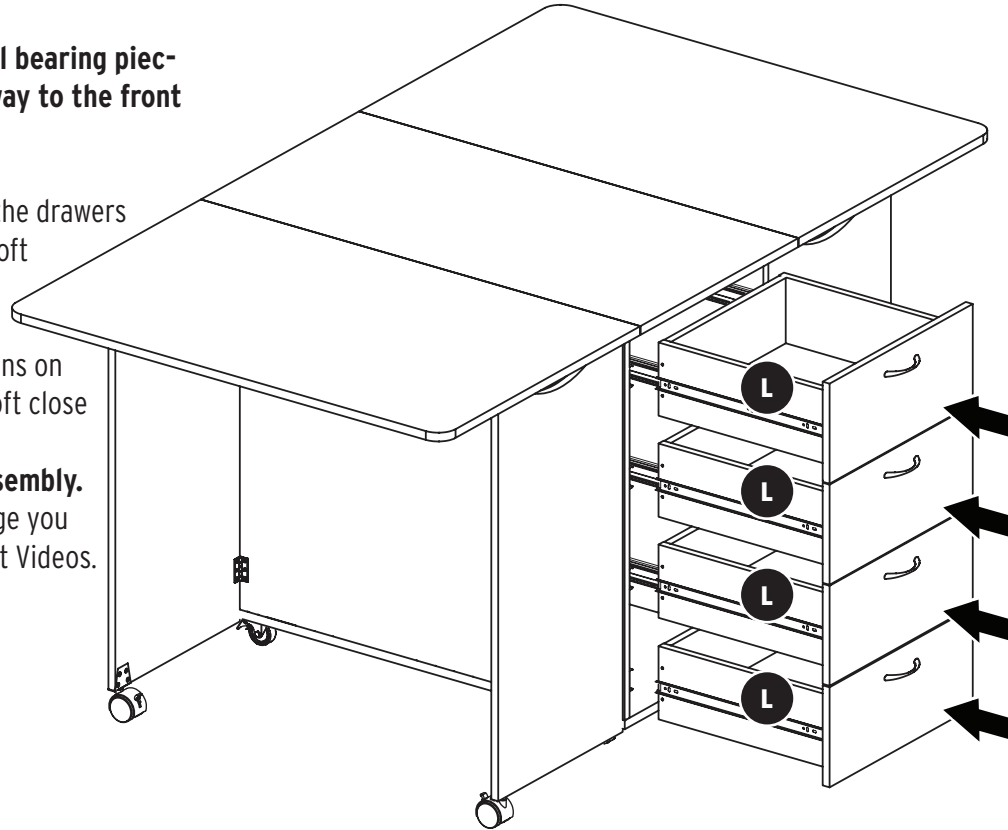
## Step 3: Drawers and Shelves

Fully extend the cabinet rails, align drawer rails, and slide drawers into caddy.

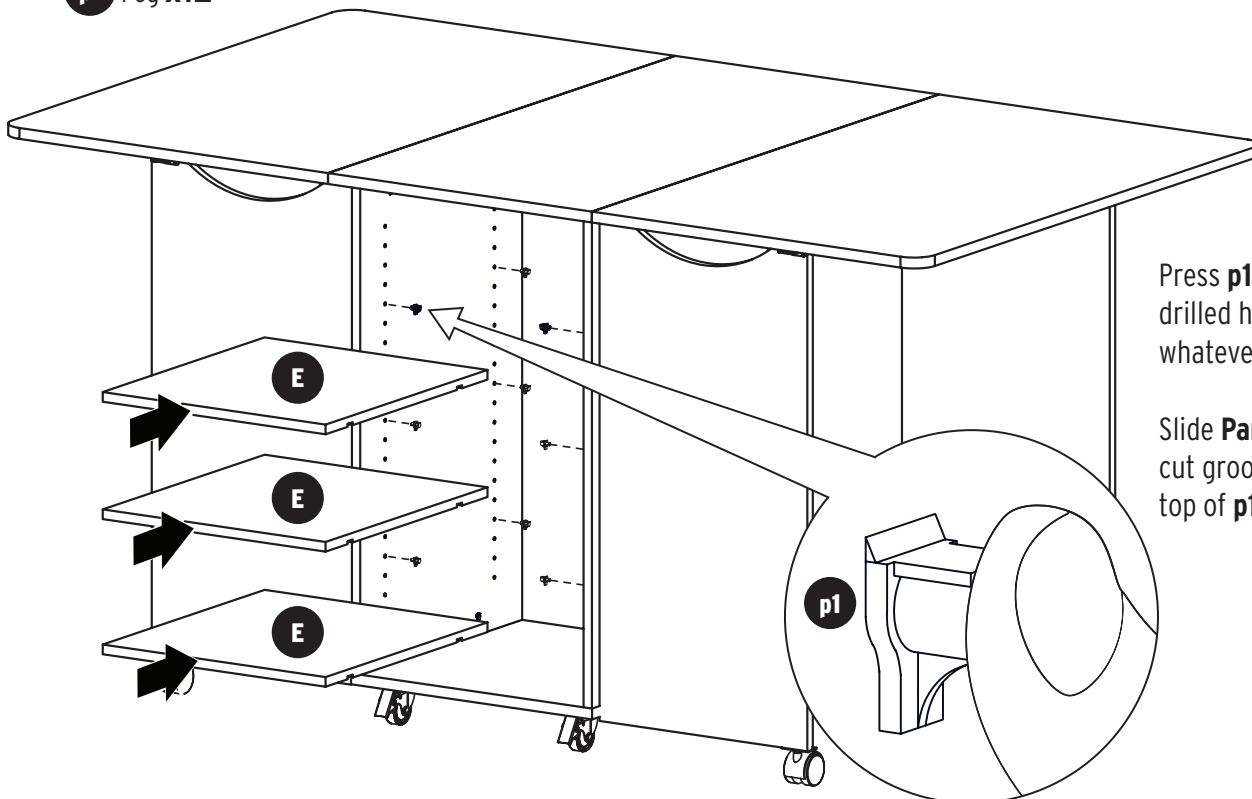
**Be sure that the silver ball bearing pieces are positioned all the way to the front of the rails.**

**TIP:** Gently open and close the drawers a few times to engage the Soft Close mechanism.

For detailed video instructions on how to install/adjust your soft close drawers, go to [www.arrowsewing.com/assembly](http://www.arrowsewing.com/assembly). At the bottom of the webpage you will find our Product Support Videos.



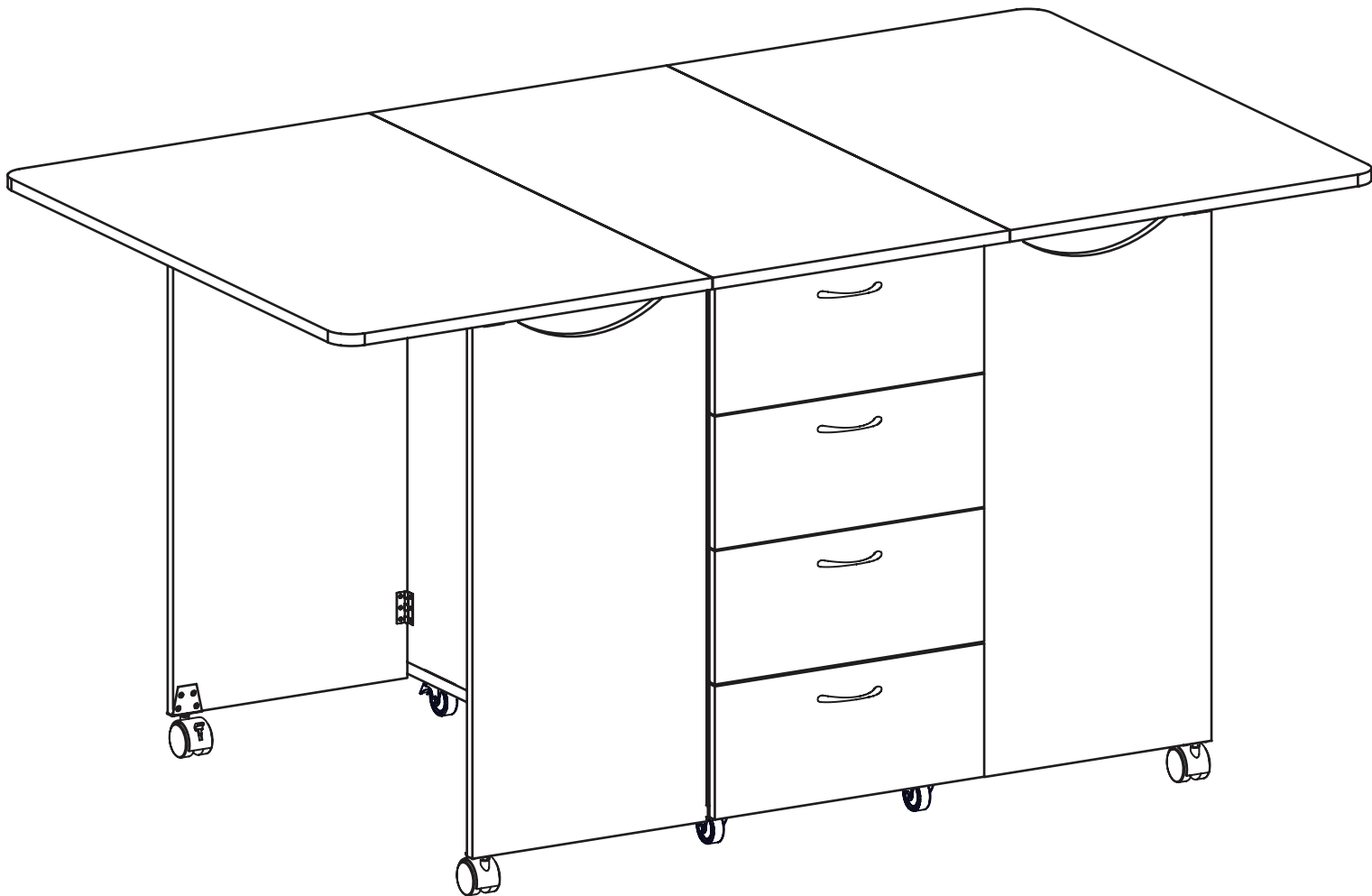
**p1** Peg x12



Press **p1 Pegs** into pre-drilled holes as shown, at whatever height you wish.

Slide **Panel E** Shelves with cut grooves downwards on top of **p1 Pegs**.

# Completed Kookaburra Cutting Table



**Congratulations! A better sewing experience awaits!**



KANGAROO™  
sewing furniture

## LIMITED LIFETIME WARRANTY

### Kangaroo™ Sewing Furniture Limited Lifetime Warranty

**WHAT THIS WARRANTY COVERS:** Arrow Companies, LLC "Arrow" provides a Limited Lifetime Warranty "Warranty" to the original purchaser of this product against defects in materials or workmanship of furniture components. As used in this Warranty, "defect" means imperfections in components which substantially impair the utility of the product. This Warranty gives you specific legal rights, and you may also have other rights which vary from state to state. Electrical and mechanical components of furniture are warranted for 5 years.

**HOW TO GET SERVICE:** Simply contact Arrow at 1-800-533-7347 or CS@ArrowSewing.com. When you request Warranty service, you must also present proof of purchase documentation, which includes the date of purchase (detailed receipt), and photos of the product. Arrow will replace any defective part (at its sole option), excluding labor. Replacement parts will be warranted for only the remaining period of the original Warranty.

Replacement parts will be shipped freight prepaid on any initial Warranty claim during first year of Warranty only. Warranty applies only to defects confirmed by Arrow and will be replaced or repaired at Arrow's option. In the event parts are no longer available for a Warranty claim, customer may receive a brand new cabinet at a price equal to 60% off the MSRP of a current comparable model.

**WHAT'S NOT COVERED:** There is no Warranty coverage for defects or conditions that result from the following: Failure to follow product assembly instructions, information or warnings; misuse or abuse; intentional damage; fire, flood, alteration or modification of the product; use of the product in a manner inconsistent with its intended use; any condition resulting from incorrect or inadequate maintenance, cleaning, care or neglect; cuts or scratches; caster damage as a result of moving furniture fully loaded or with locked casters; damage resulting from electrical surge or lightning; or use in commercial or education environments. Kangaroo Sewing Furniture is designed for residential use only.

ARROW SHALL HAVE NO LIABILITY for ANY INCIDENTAL OR CONSEQUENTIAL DAMAGES OF ANY KIND and all such damages are EXCLUDED FROM THIS Warranty, such as loss of use, disassembly, transportation, labor, or damage to property on or near the product. Some states do not allow the exclusion or limitation of incidental or consequential damages, so the above limitation or exclusion may not apply to you. The Warranty cannot be transferred to subsequent owners or users of the product, and it shall be immediately void in the event the product is resold, transferred, leased or rented to any third party or person other than the original purchaser.

**ADDITIONAL LIMITATIONS:** THERE ARE NO OTHER WARRANTIES APPLICABLE TO THIS PRODUCT. Under the laws of certain states, there may be no implied warranties from Arrow and all implied warranties, INCLUDING ANY IMPLIED Warranty OF MERCHANTABILITY OR FITNESS FOR A PARTICULAR PURPOSE are disclaimed where allowed by law. TO THE EXTENT ANY IMPLIED WARRANTIES ARE APPLICABLE, ANY IMPLIED WARRANTIES, INCLUDING ANY IMPLIED Warranty OF MERCHANTABILITY OR FITNESS FOR A PARTICULAR PURPOSE, ARE LIMITED IN DURATION TO THE DURATION OF THIS EXPRESS Warranty or the minimum period allowed by law, whichever is shorter. Some states do not allow limitations on how long an implied Warranty lasts, so the above limitation may not apply to you. This limited Warranty gives you specific legal rights. This limited Warranty does not, in any way, affect the rights given to you by law.

**REGISTER YOUR PRODUCT:** Original purchaser should register the purchase online at [www.ArrowSewing.com/Warranty](http://www.ArrowSewing.com/Warranty).

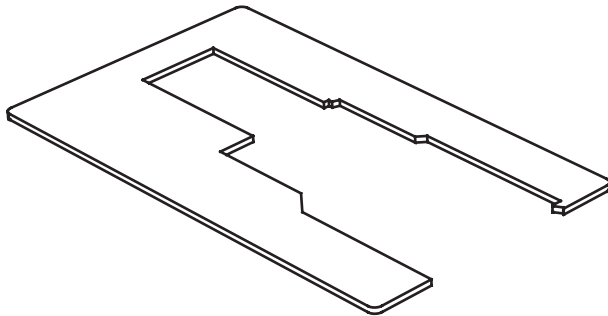
SEW IN COMFORT. SEW LONGER.™



## Accessories to Complete Your Sewing Studio

### Custom Insert

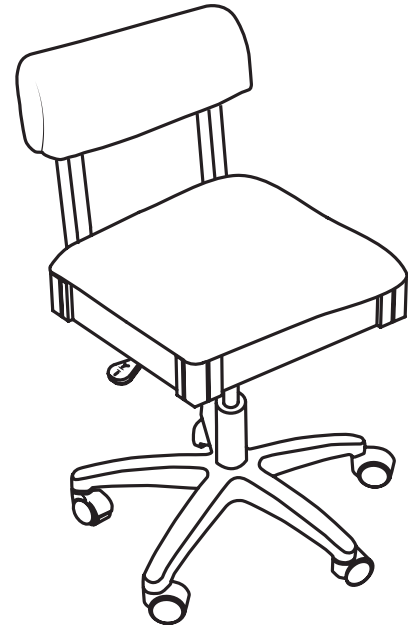
Enhance your sewing experience with a custom acrylic sewing insert! Custom acrylic sewing inserts are designed to fill the gap between your sewing machine and sewing cabinet's lift opening to create a flush, ergonomic surface for flat bed sewing. To ensure a perfect fit, custom acrylic sewing inserts are built specifically for your sewing machine and sewing cabinet combination. Say hello to happy wrists, straighter stitches, and an elevated sewing experience!



Insert

### Arrow Sewing Chairs

Arrow's #1 Rated Height Adjustable Sewing Chair is a must have accessory for your dream sewing room! Cute, comfortable and convenient - our lovable sewing chairs feature vibrant sewing themed patterns, 360 swivel access and lumbar support for long hours at your workstation. Don't look now, but under every seat cushion is a hidden storage compartment to store your notions and patterns! Available in 10 colors to perfectly match your sewing sanctuary!



Height Adjustable Sewing Chair

P.O. Box 410 Elkhorn, WI 53121  
1-800-533-7347 Ext. 1  
CS@ArrowSewing.com  
www.ArrowSewing.com

02-22